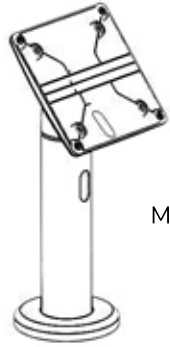
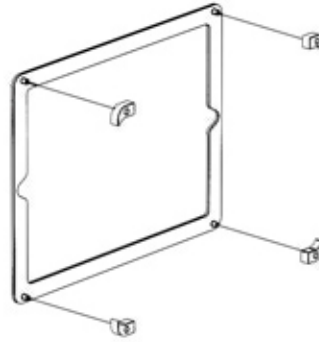


1

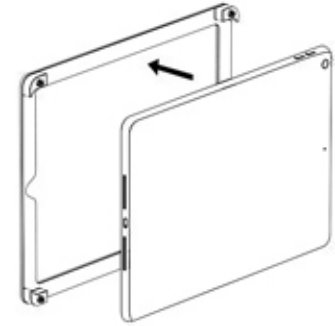


FOLLOW STAND  
MOUNTING INSTRUCTIONS

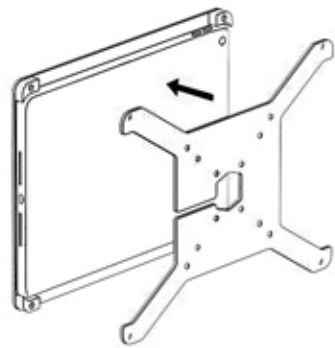
2



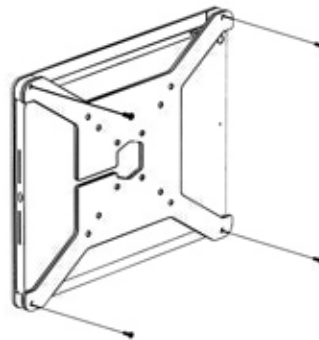
3



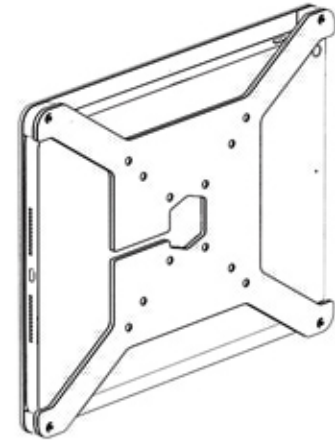
4



5



6



## IN THE BOX



Screwdriver



X4

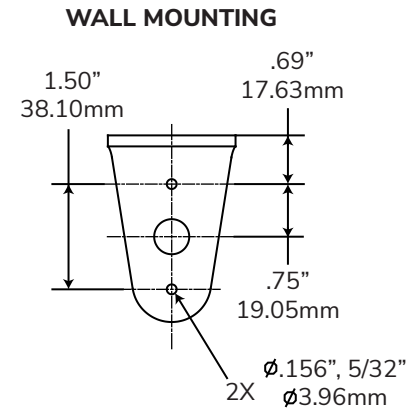
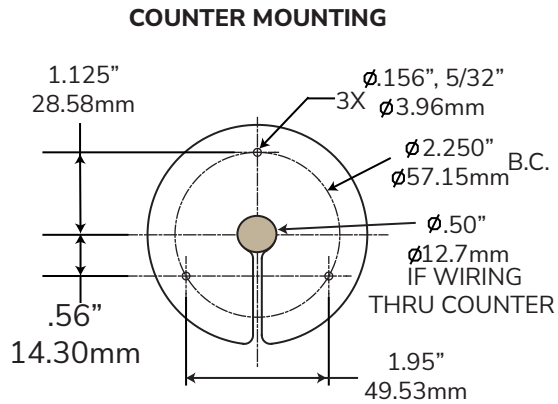
Tamper proof screws



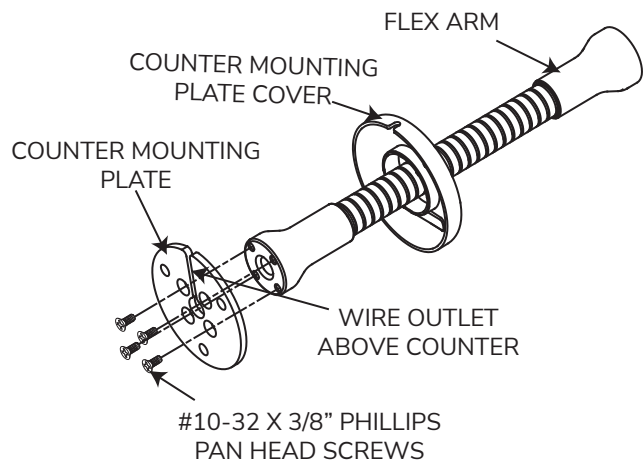
X4

Plastic Corners

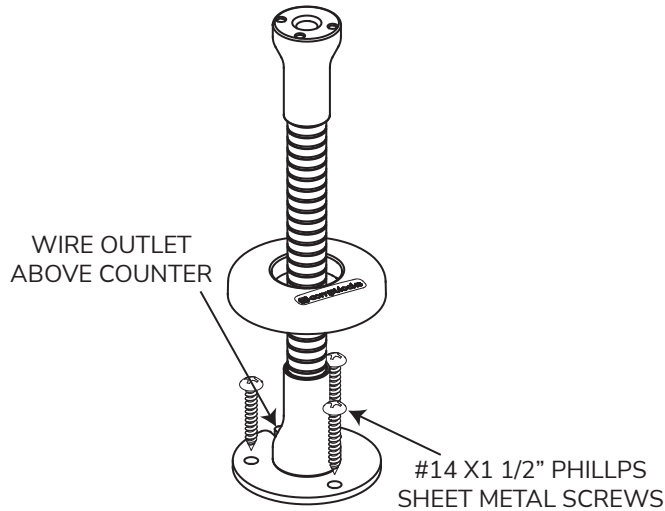
# Mounting Options



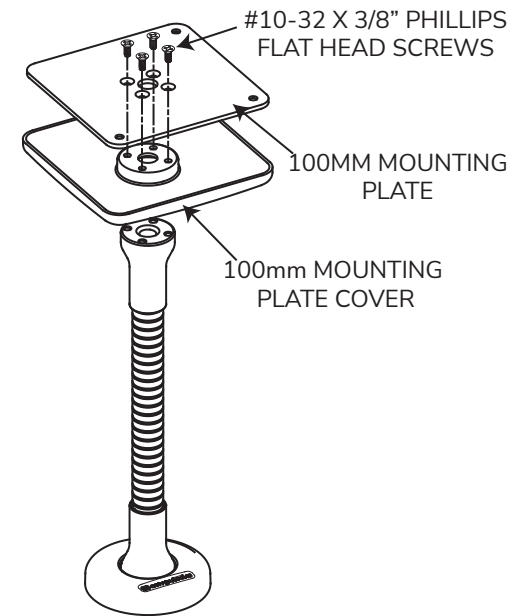
1



2



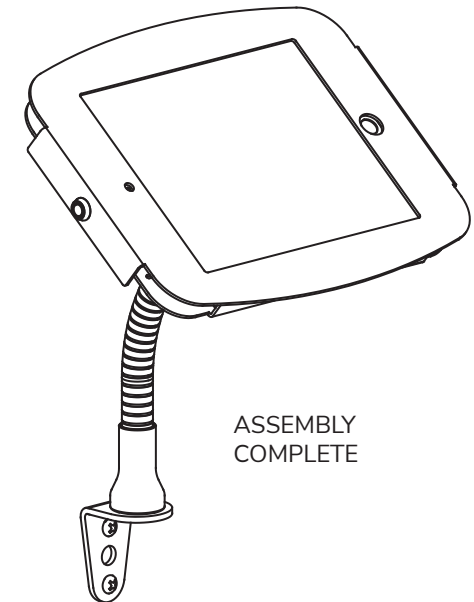
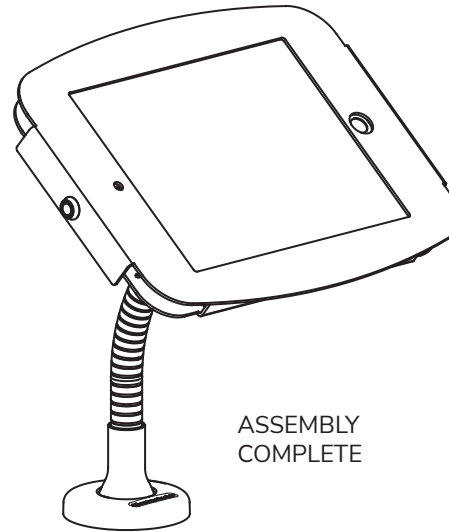
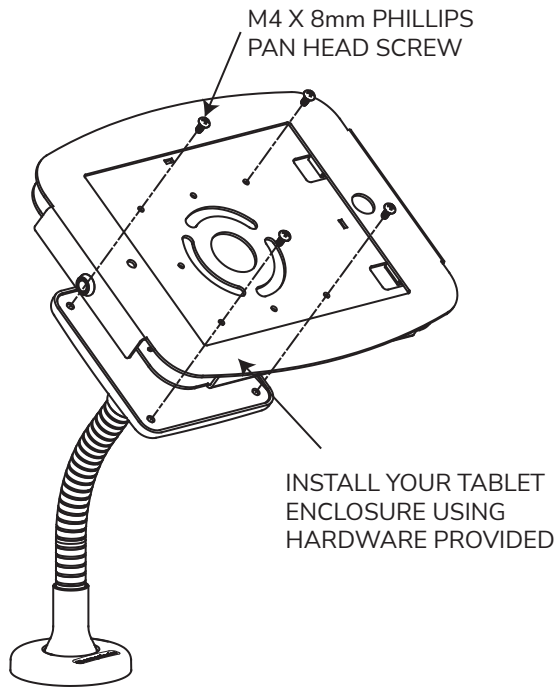
3



4

COUNTER

WALL MOUNT



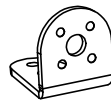
### IN THE BOX



Mounting Plate Cover



100mm Plate Cover



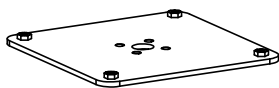
Right Angle Mounting Bracket



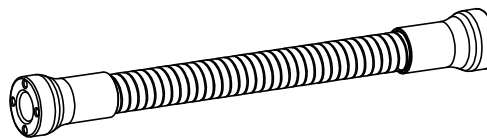
Hardware Kit



Mounting Bracket

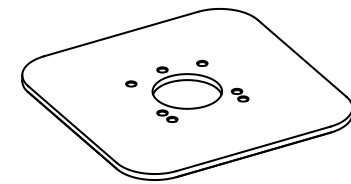


100mm Bracket



Flex Arm

### ACCESSORIES



Adhesive Base