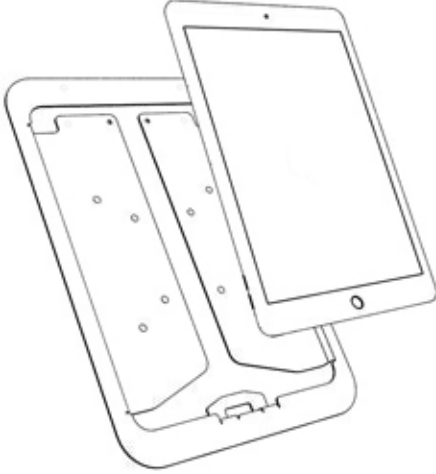
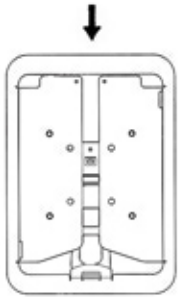


Assembly Instructions

1

THIS SIDE UP



2



3

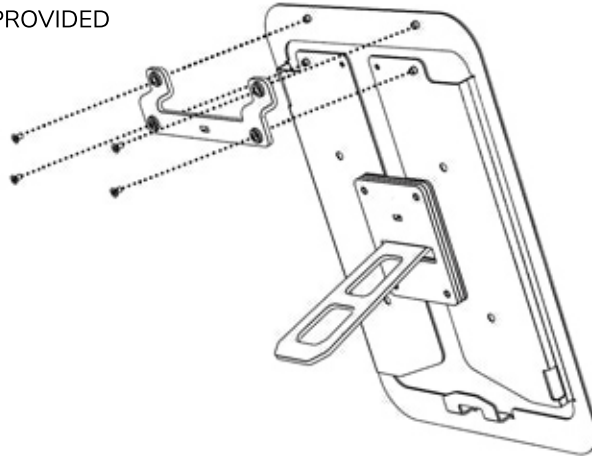
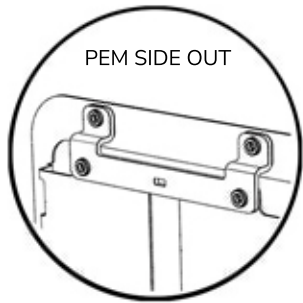


4

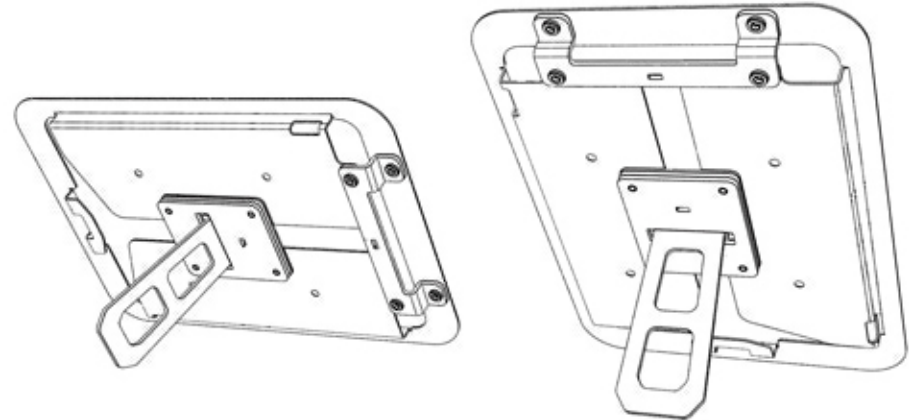


5

INSTALL PLATE WITH
SCREWS PROVIDED



6



IN THE BOX



Screwdriver



Tamper proof screws