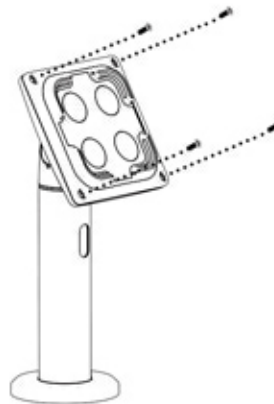


1



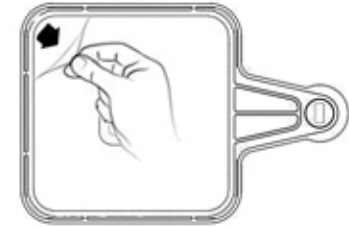
2



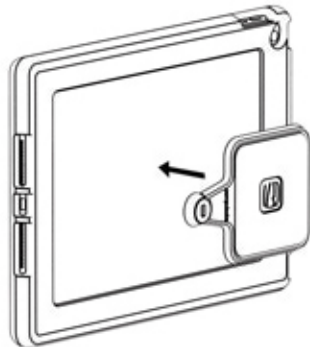
VESA 100\*100



3



4



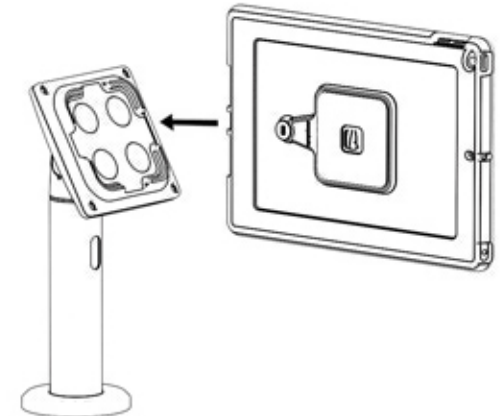
5



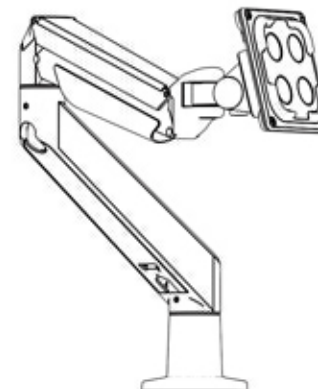
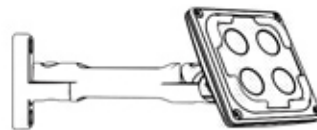
Press Down



6



Fits Vesa 100\*100 Mount Stands

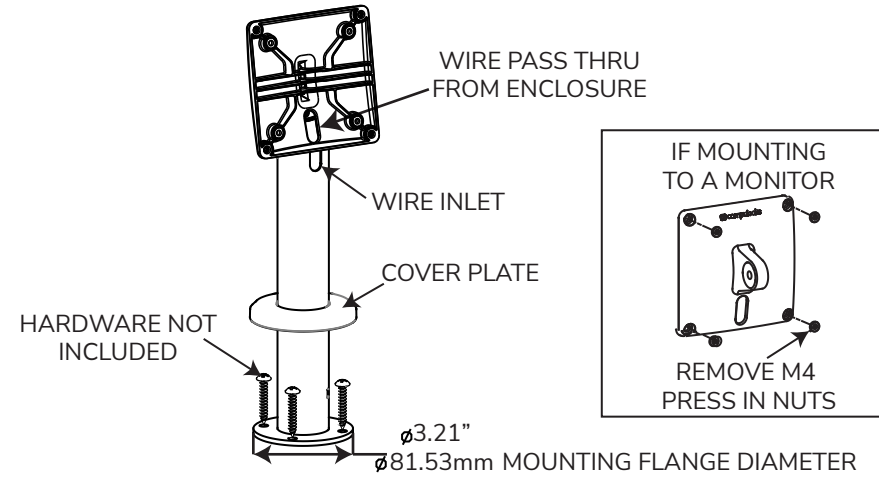
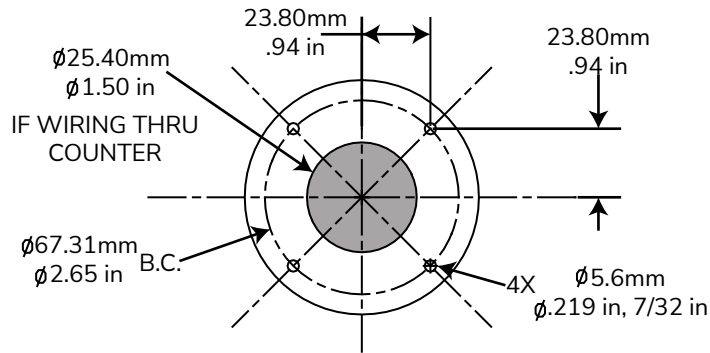


Assembly Instructions

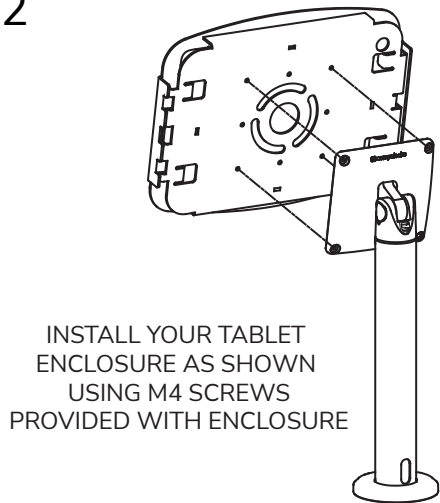
Installation On Counter Top

1

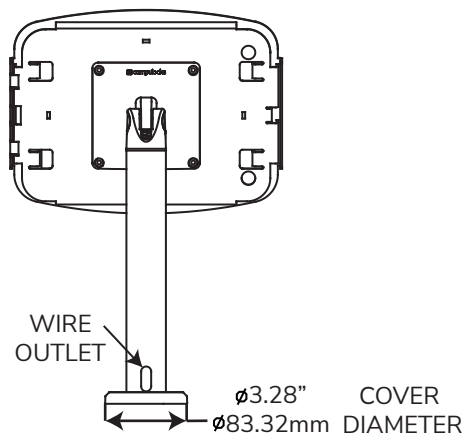
COUNTER MOUNTING PATTERN



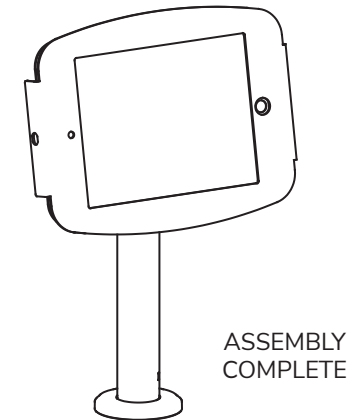
2



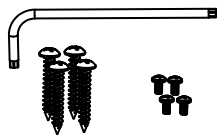
3



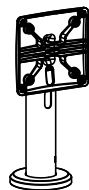
4



IN THE BOX



Hardware Kit

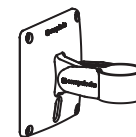


Fixed Pole Stand

ACCESSORIES



Adhesive Base



Single Add On Bracket

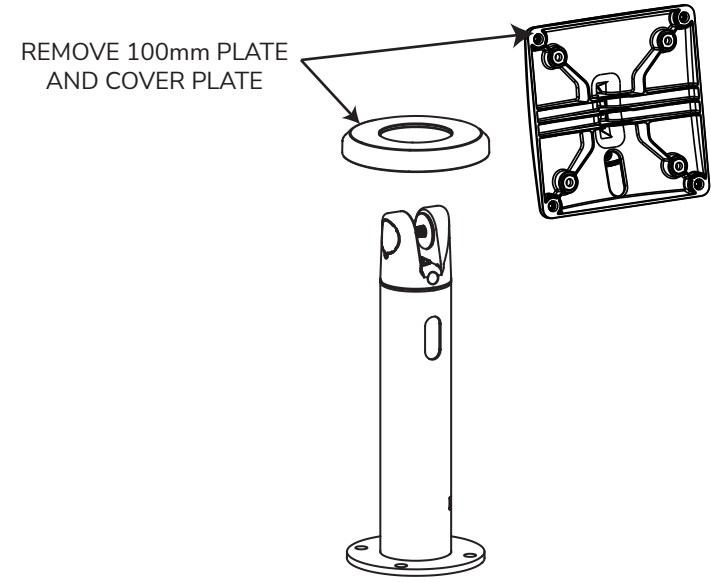
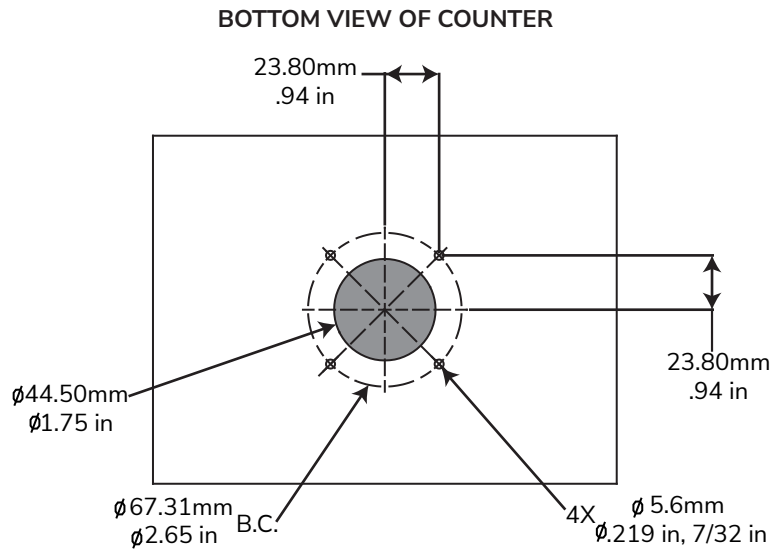


Free Standing Base

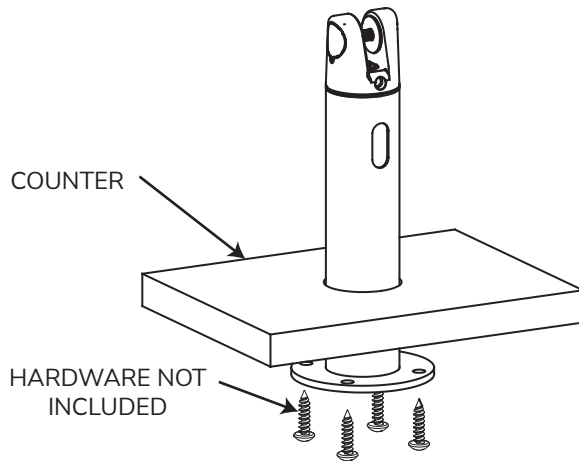
Assembly Instructions

Installation Below Counter

1



2



3

