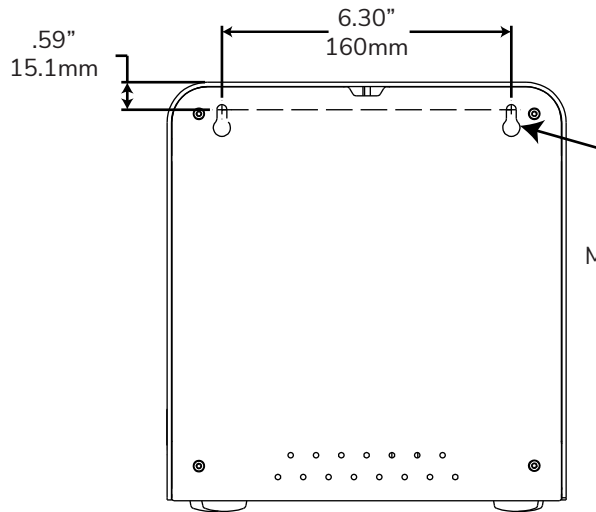


## Assembly Instructions

1

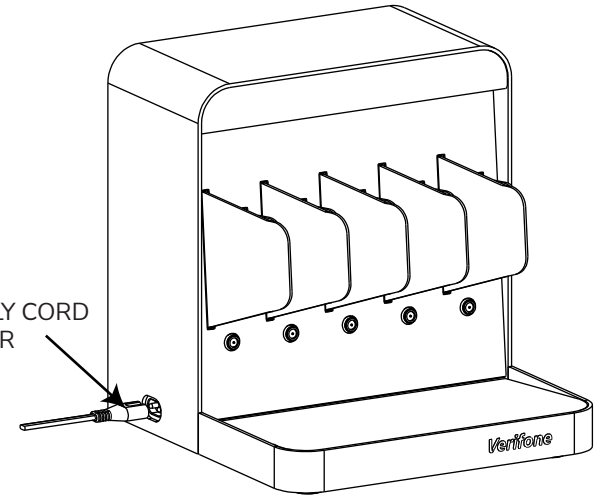
WALL MOUNTING PATTERN



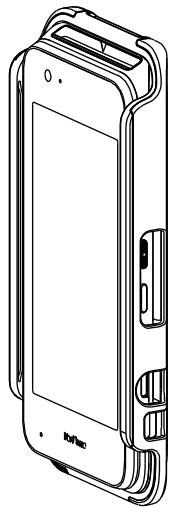
USE M5 MOUNTING HARDWARE  
(NOT INCLUDED).  
MOUNT USING KEY HOLES SHOWN

2

CONNECT POWER SUPPLY CORD  
TO MULTICHARGER

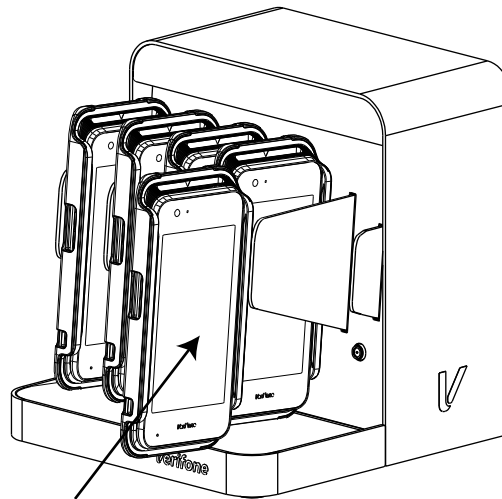


3



INSTALL MAGNETIC POWER  
CONNECTOR INTO CM5  
WITH RUGGED CASE

4



INSERT CM5 WITH  
RUGGED CASE AS SHOWN

5

