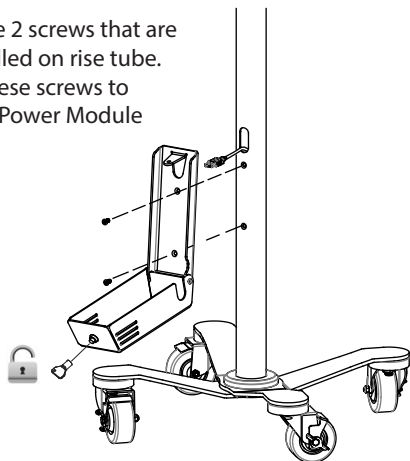


## Assembly Instructions

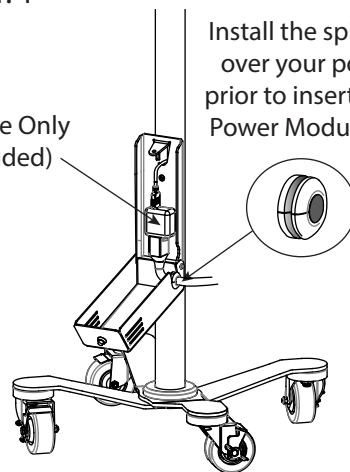
1

Remove the 2 screws that are pre-installed on rise tube.  
Use these screws to mount Power Module



2 OPT. 1

Power Cube Only  
(not included)

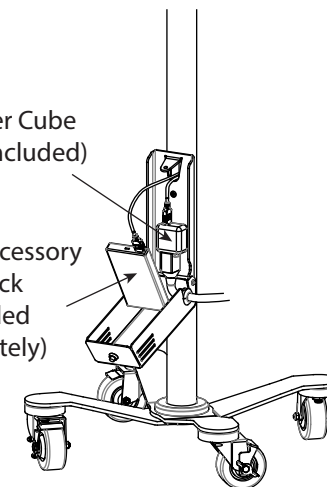


Install the split grommet over your power cable prior to inserting into the Power Module as shown.

3 OPT. 2

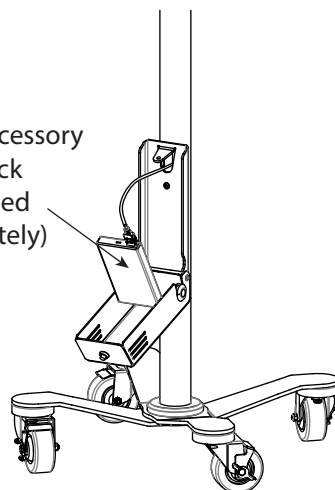
Power Cube  
(not included)

Compulocks Accessory  
Battery Pack  
(Not included  
Sold Separately)



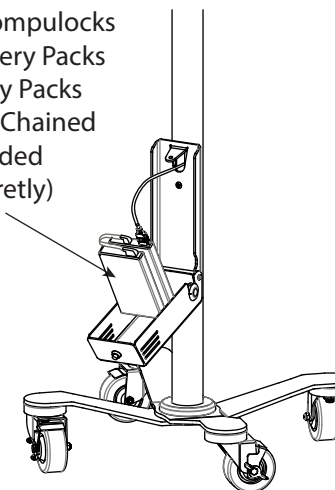
4 OPT. 3

Compulocks Accessory  
Battery Pack  
(Not included  
Sold Separately)



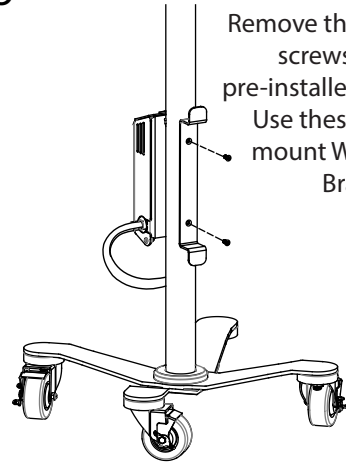
5

Holds up to 2 Compulocks  
2,000mAh Battery Packs  
\*Some Battery Packs  
Can be Daisy Chained  
(Not Included  
Sold Separately)



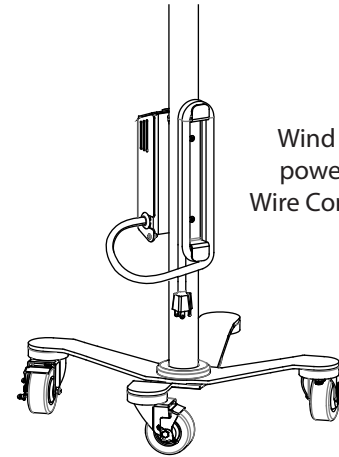
## Assembly Instructions

6



Remove the 2 remaining screws that are pre-installed on rise tube. Use these screws to mount Wire Control Bracket

7

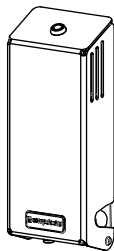


Wind up excess power cord on Wire Control Bracket

### IN THE BOX



Keys



Power Module Housing



Split Rubber Grommet



Wire Control Bracket