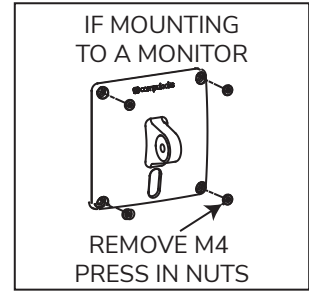
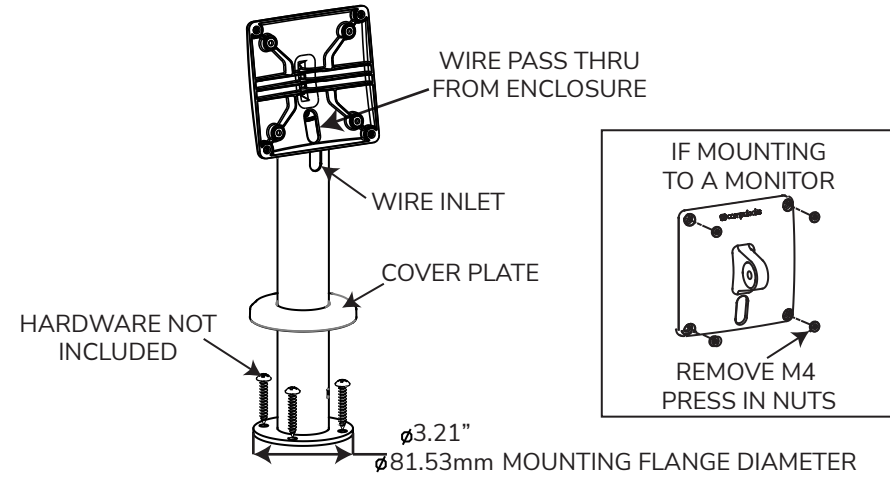
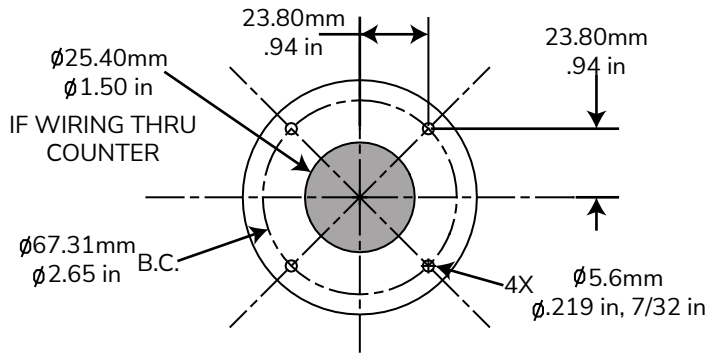


Assembly Instructions

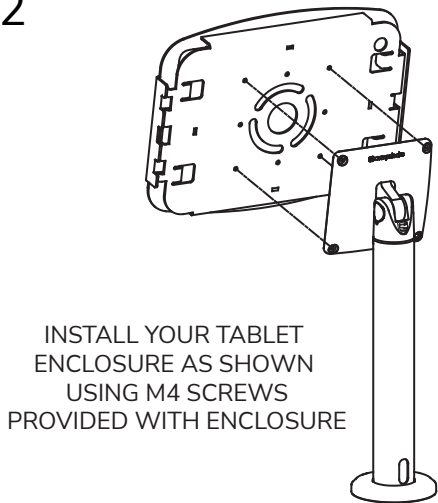
Installation On Counter Top

1

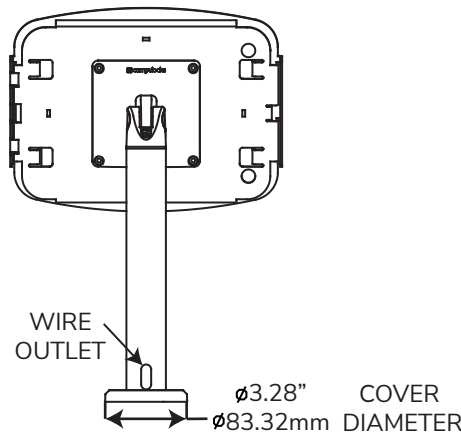
COUNTER MOUNTING PATTERN



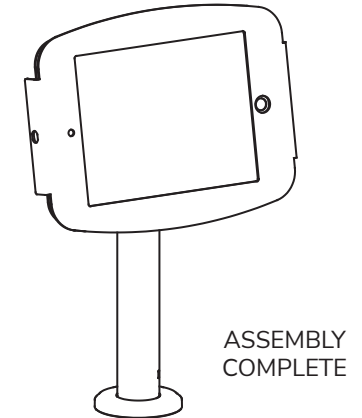
2



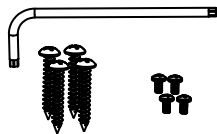
3



4

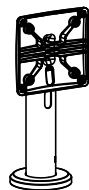


IN THE BOX



Hardware Kit

ACCESSORIES



Fixed Pole Stand



Adhesive Base



Single Add On Bracket

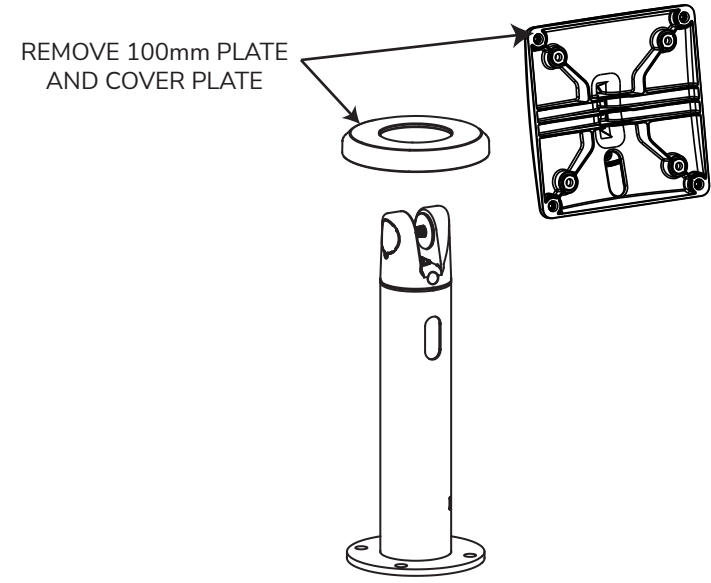
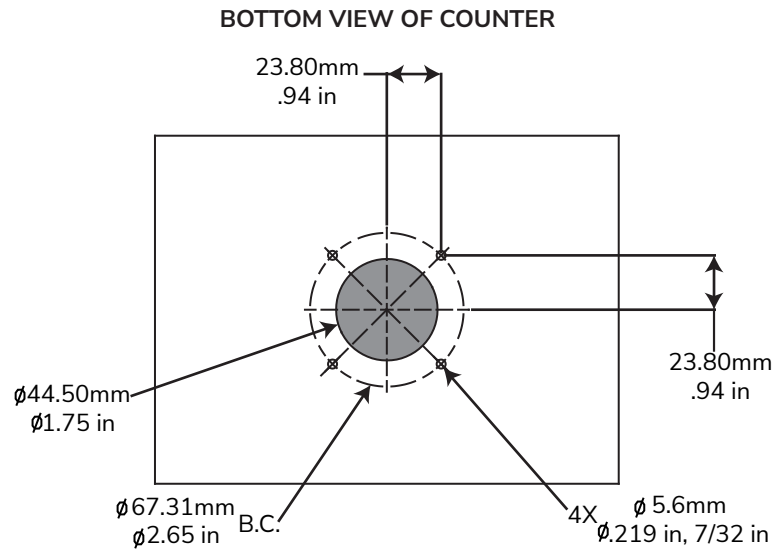


Free Standing Base

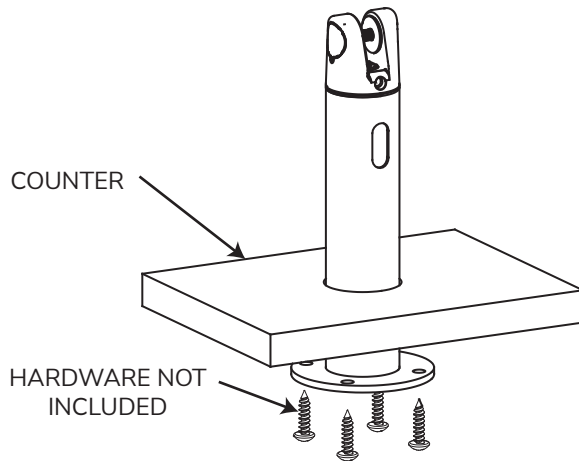
Assembly Instructions

Installation Below Counter

1



2



3

