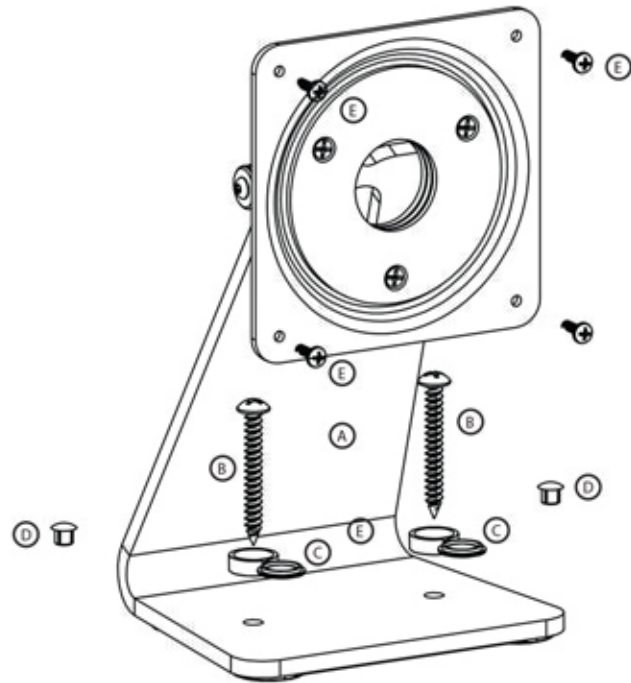
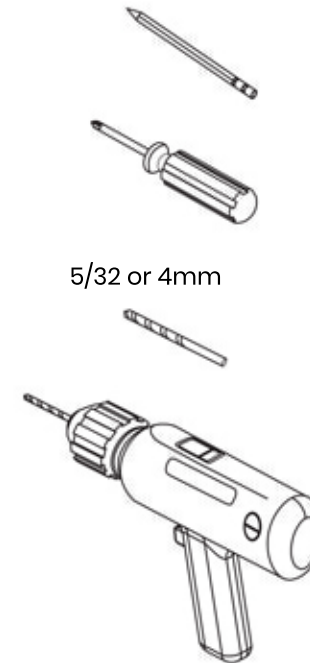


## Exploded View



## Recommended Tools

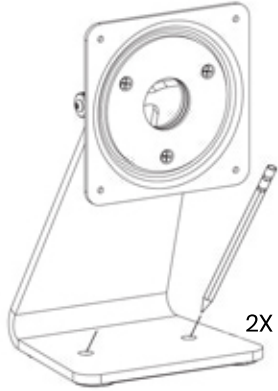


## Parts List

	ITEM	QTY
A	Universal Counter Stand Assembly	1
B	#14 x 2" Phillips Sheet Metal Screw	2
C	Plastic Screw Cover	2
D	Plastic Hole Plug (installed at factory - remove for mounting)	2
E	M4 x 8mm Phillips Head Screw	4

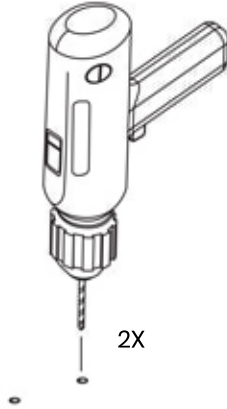
## Table Top Mounting

1



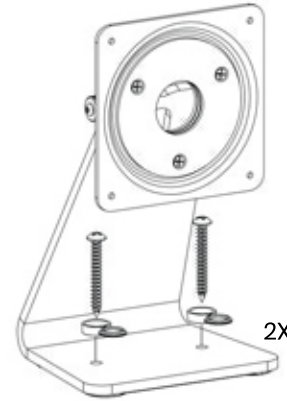
Mark holes

2



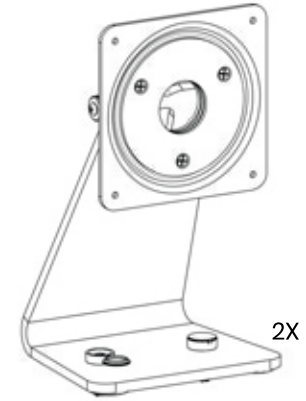
Drill holes with 5/32" drill bit  
2" deep

3



Install plastic screw caps and  
screws

4



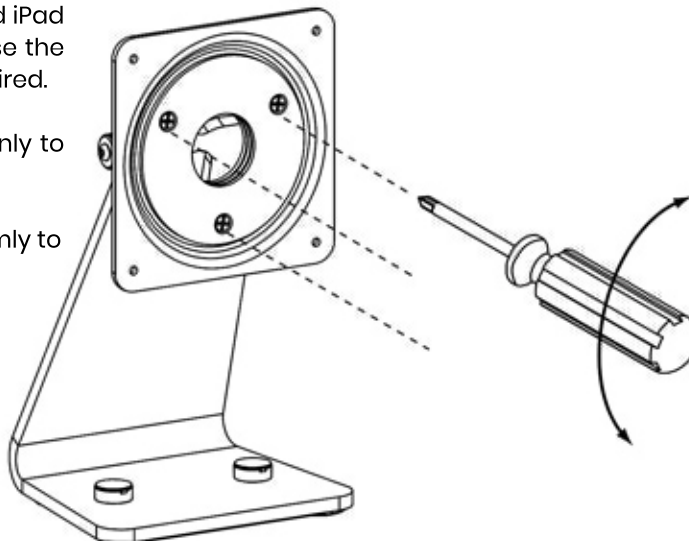
Snap plastic screw caps shut

## Adjust Tension and Position

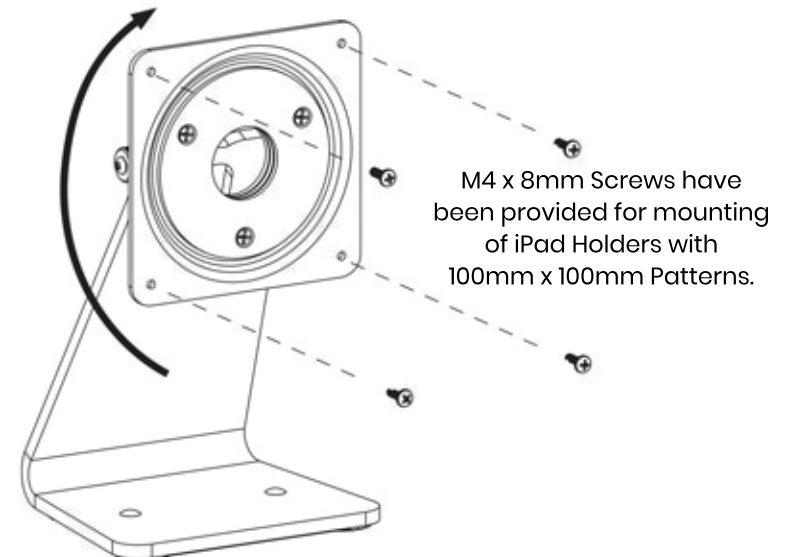
Before Installing selected iPad Holder you can increase the rotational friction if desired.

Adjust all 3 screws evenly to desired tension.

Tighten all 3 screws Firmly to "Lock" in Position if no movement is desired.



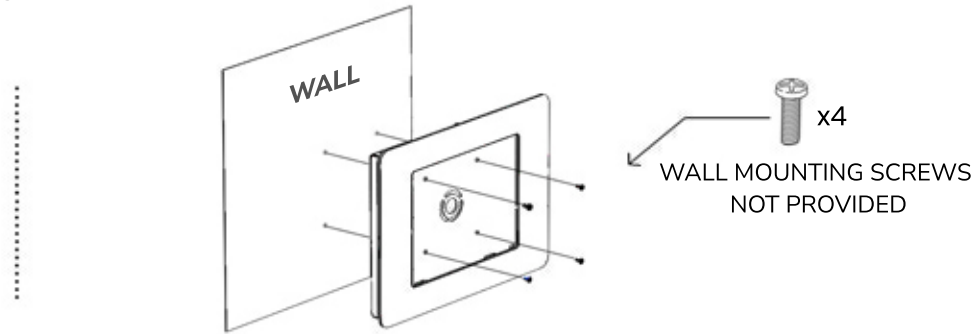
## Enclosure Mounting



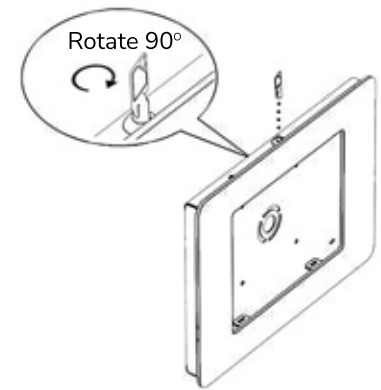
1

FOLLOW STAND  
MOUNTING  
INSTRUCTIONS

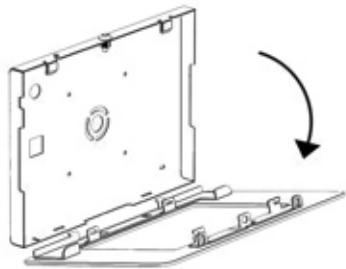
or



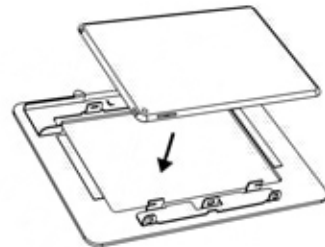
2



3



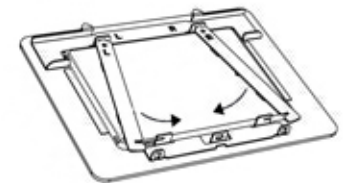
4



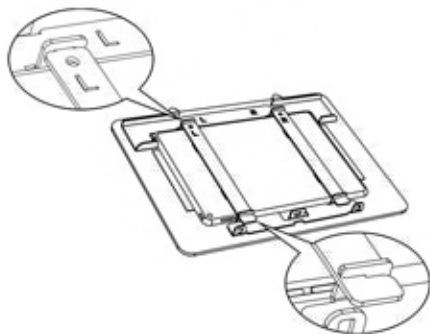
5



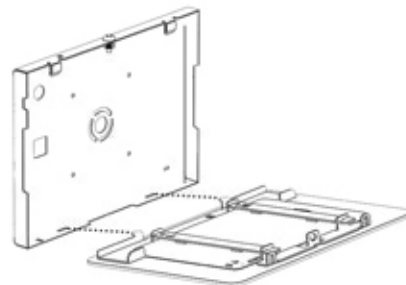
6



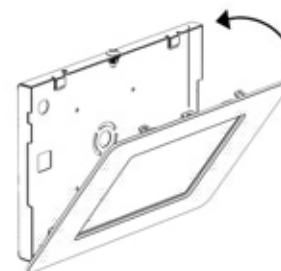
7



8



9



10

