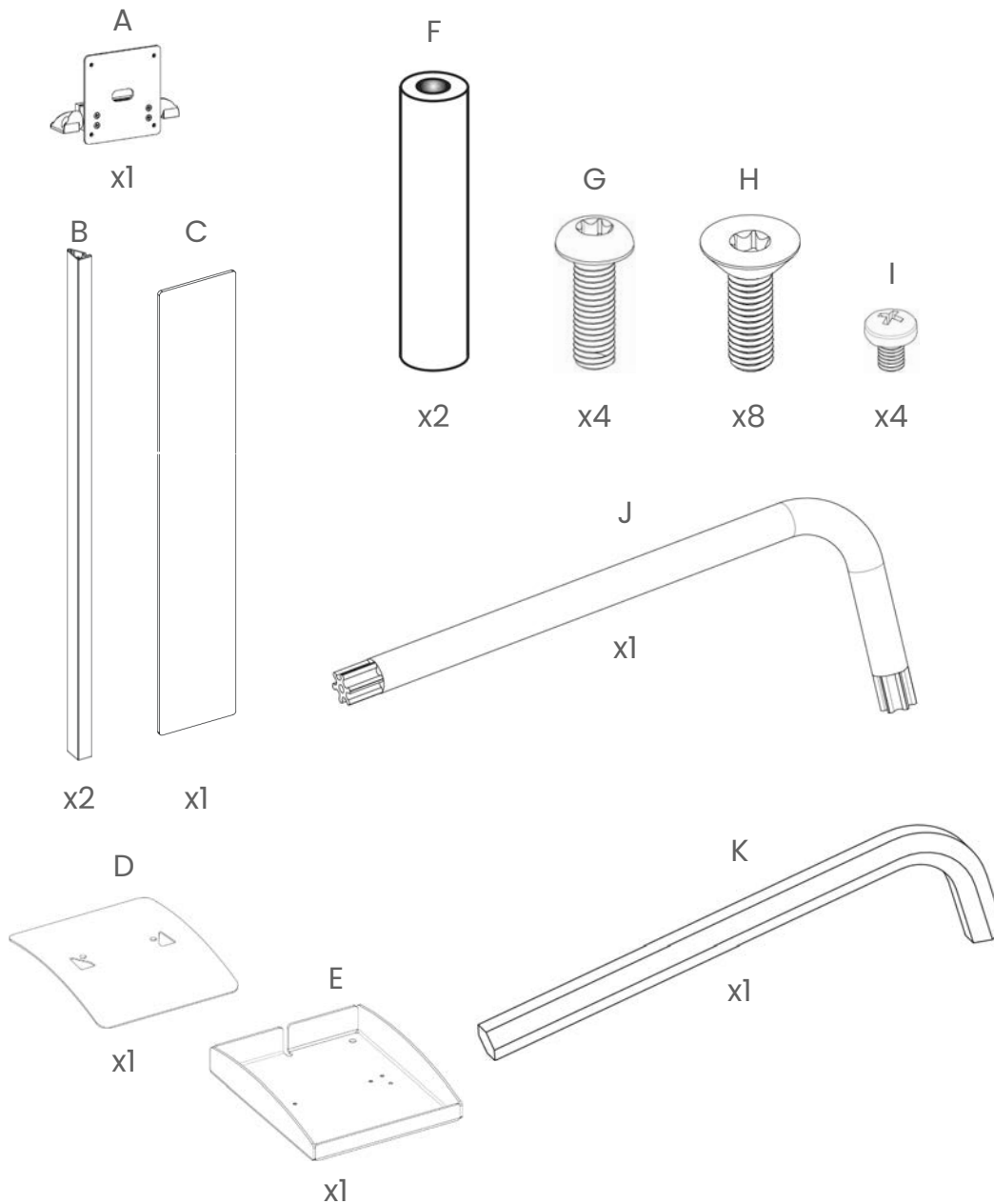


BrandMe Security Floor Stand

User Manual



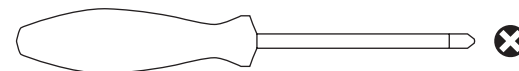
- A Top End Assembly
- B Upright Extrusion
- C Graphic Panel
- D Base Cover
- E Base
- F M5 x 40mm Round Spacer
- G M5 x 20mm Button Head Screw
- H M5 x 20mm Flat Head Screw
- I M4 x 8mm Button Head Phillips Screw
- J T-25 Torx L-Wrench
- K M5 Hex Wrench

NOTE! Before getting started

If you plan on a constant power connection to your Tablet, you will need to obtain a longer USB cable, allowing you to route the cable through the Upright Extrusion (B).

You will also need a AC Power Cord to connect to a Power Cube. These Cables are not supplied with the Stand.

To attach Enclosure to the Top End Assembly you will need Phillips Head Screwdriver.

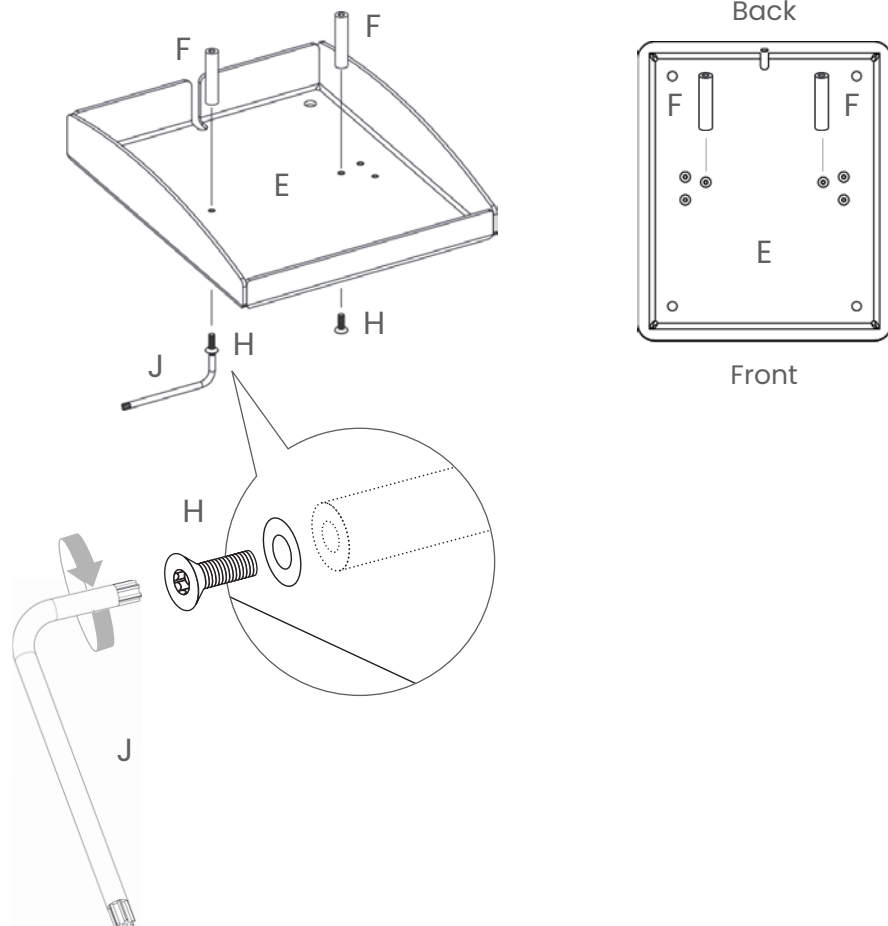


BrandMe Security Floor Stand

User Manual

Step 1

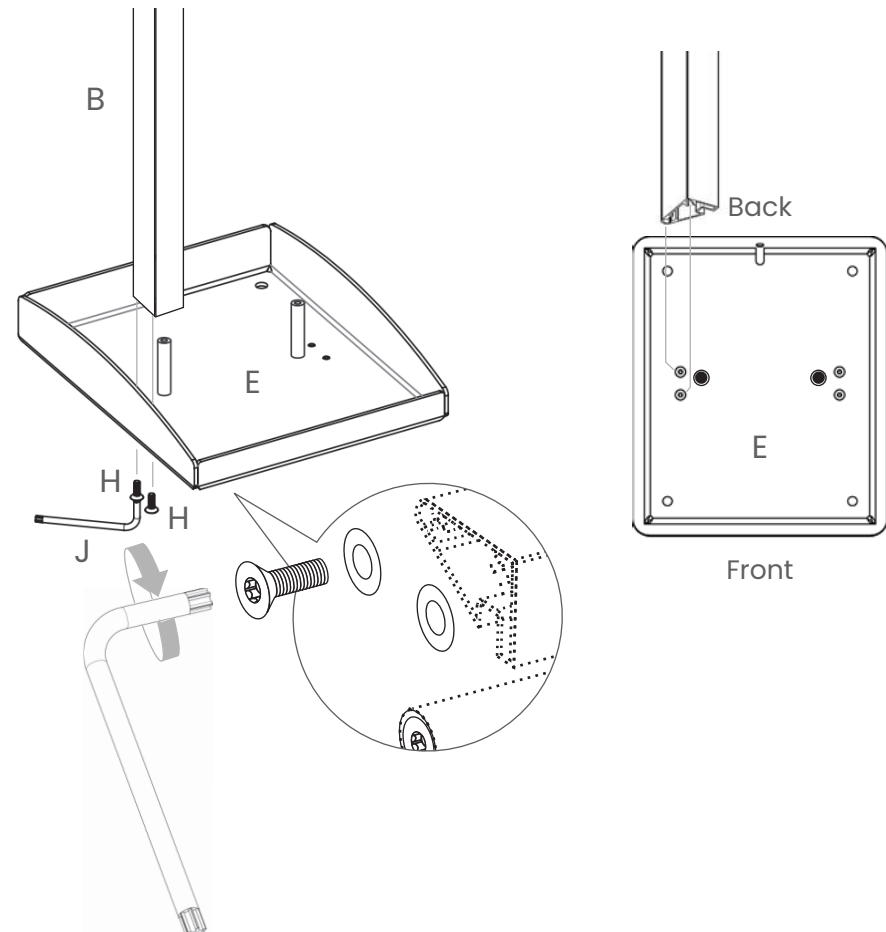
Install the two Round Spacers (F) into the Base (E) using two of the M5 x 20mm Flat Head Screws (H), tighten using T-25 Torx L-Wrench (J).



Step 2

Locate the Upright Extrusions (B) on the Base (E). Make sure extrusion has the flat edge facing forward. Install the M5 x 20mm Flat Head Screws (H), tighten using T-25 Torx L-Wrench (J).

Note! Make sure screws in Upright Extrusion are tight.

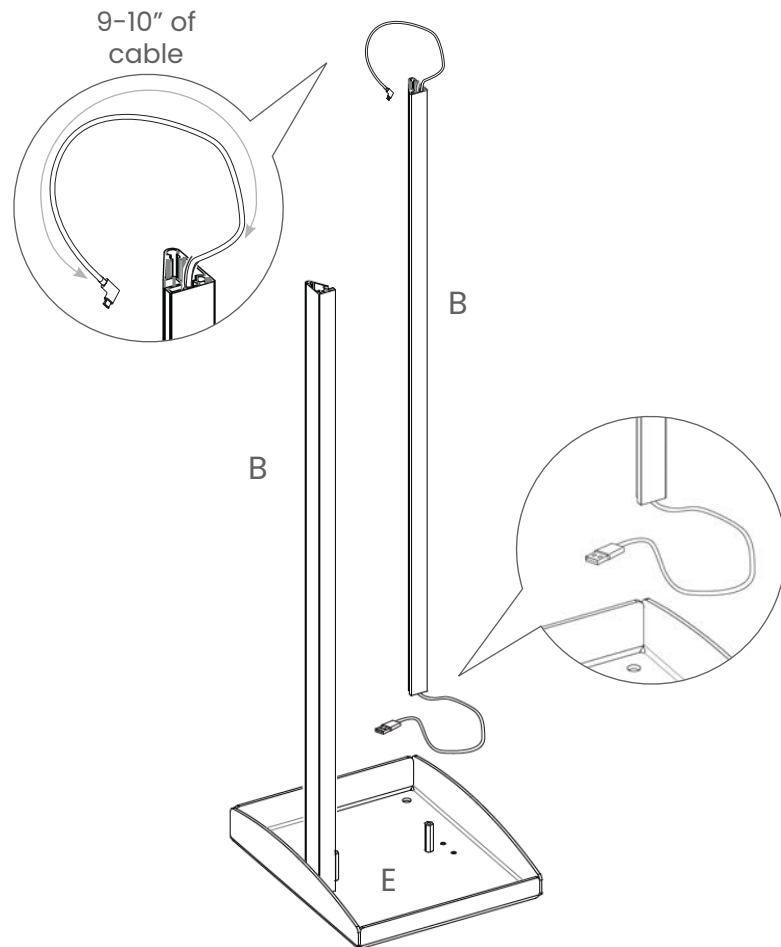


BrandMe Security Floor Stand

User Manual

Step 3

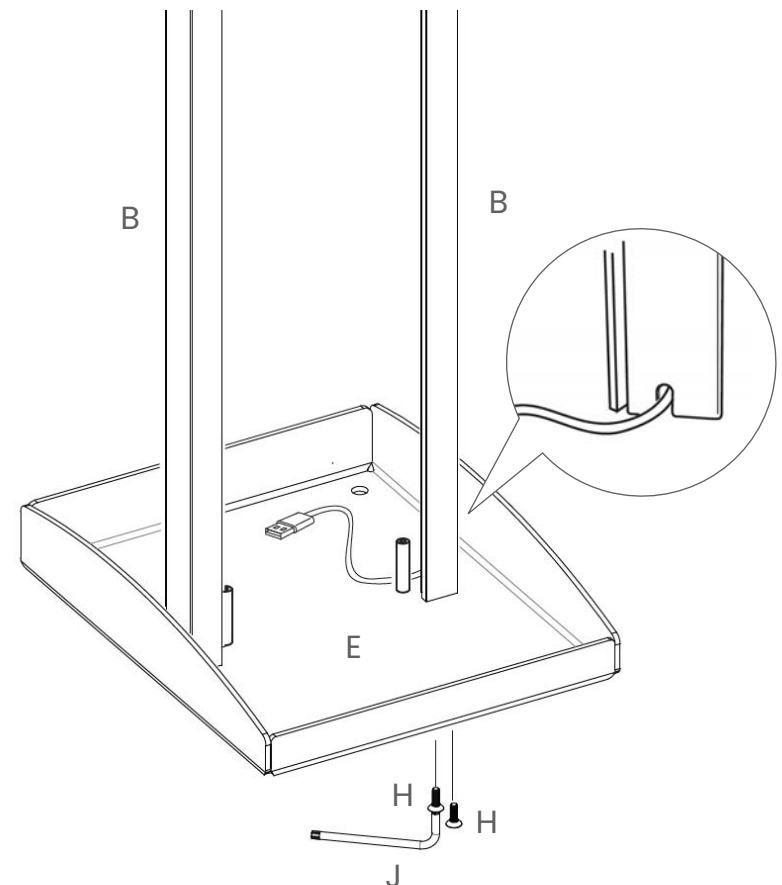
Prior to installing one of the Upright Extrusions (B) on the Base (E) route extended USB cable (USB cable not included) into the Upright Extrusion (B). Leave 9-10" of the cable at the top of the Upright Extrusion (B).



Step 4

Install the Upright Extrusion (B) on the Base (E) using M5 x 20mm Flat Head Screws (H), tighten using T-25 Torx L-Wrench (J).

Note! Make sure screws in Upright Extrusion are tight.



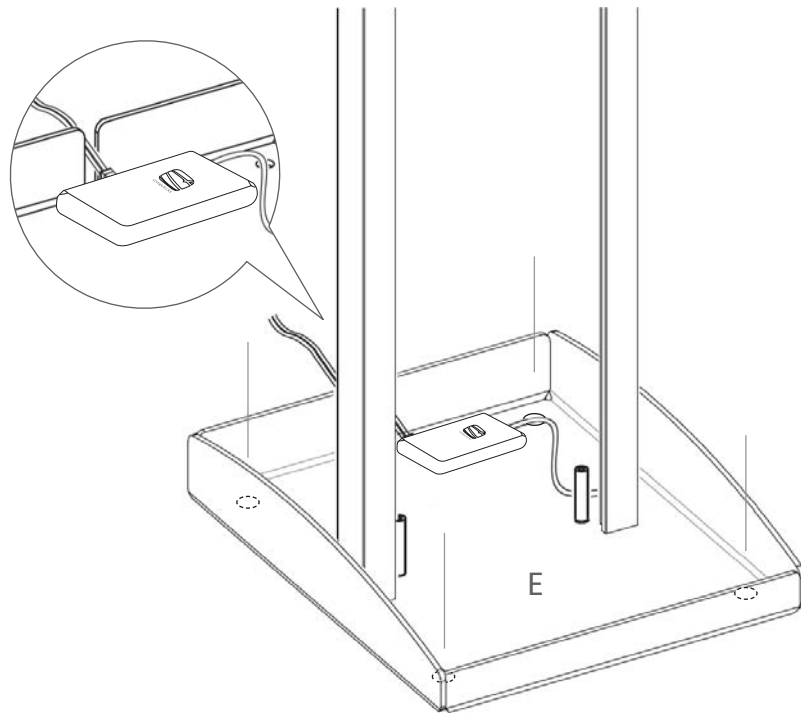
BrandMe Security Floor Stand

User Manual

Step 5

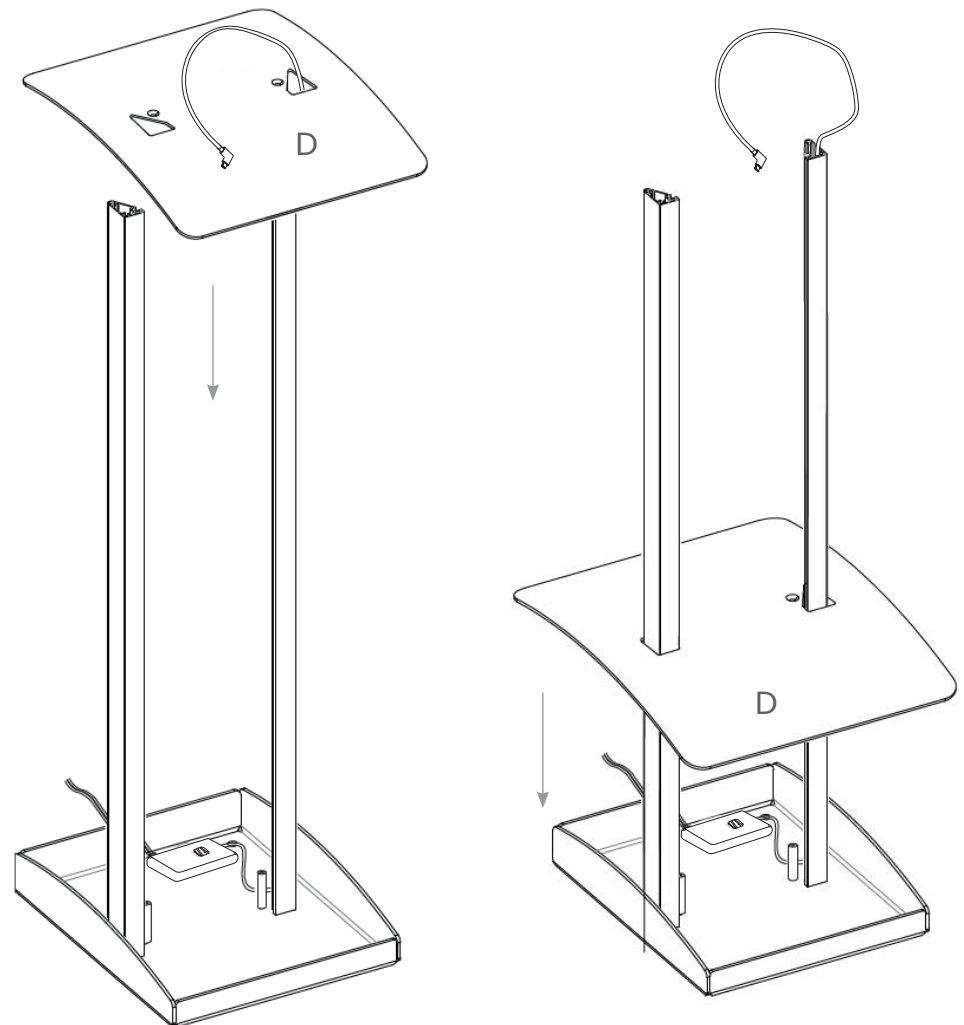
Route USB cable and plug into charging cube (power cable not included). Four 3/8" holes are provided in the Base (E) for floor mounting (screws for floor mounting not included).

Tip! To prevent A/C cord from disconnecting, tie a knot in the cord.



Step 6

Route USB cable (USB cable not included) through Base Cover (D) as shown.

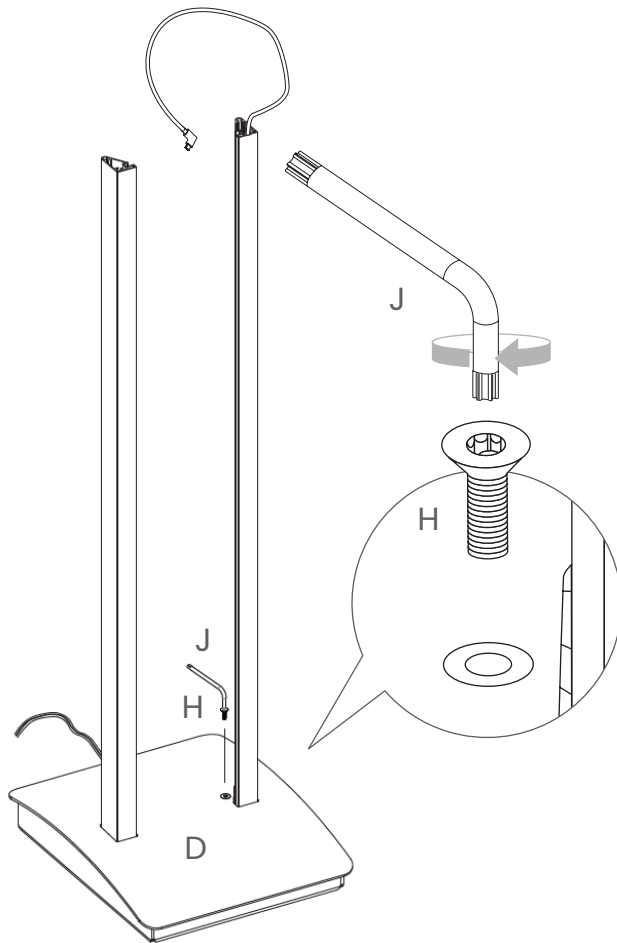


BrandMe Security Floor Stand

User Manual

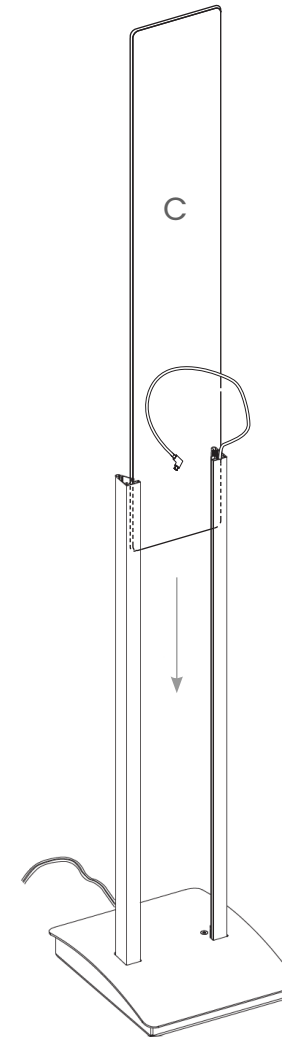
Step 7

Secure Base Cover (D) with M5 x 20mm Flat Head Screws (H) using T-25 Torx L-Wrench (J).



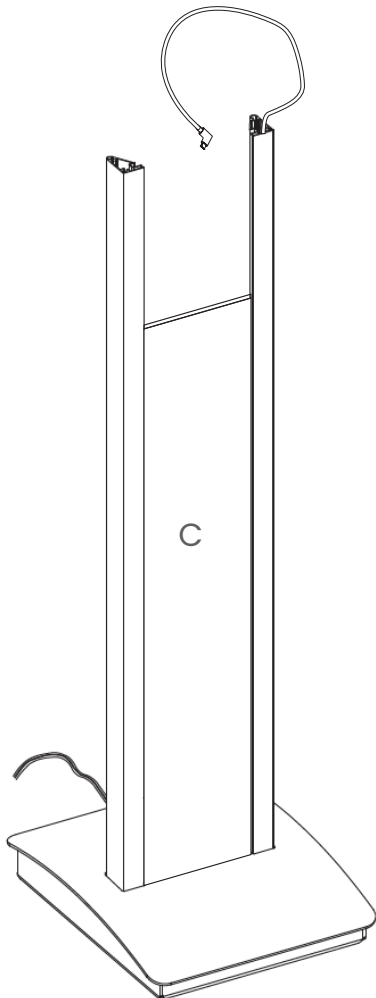
Step 8

Install Graphic Panel (C) as shown.



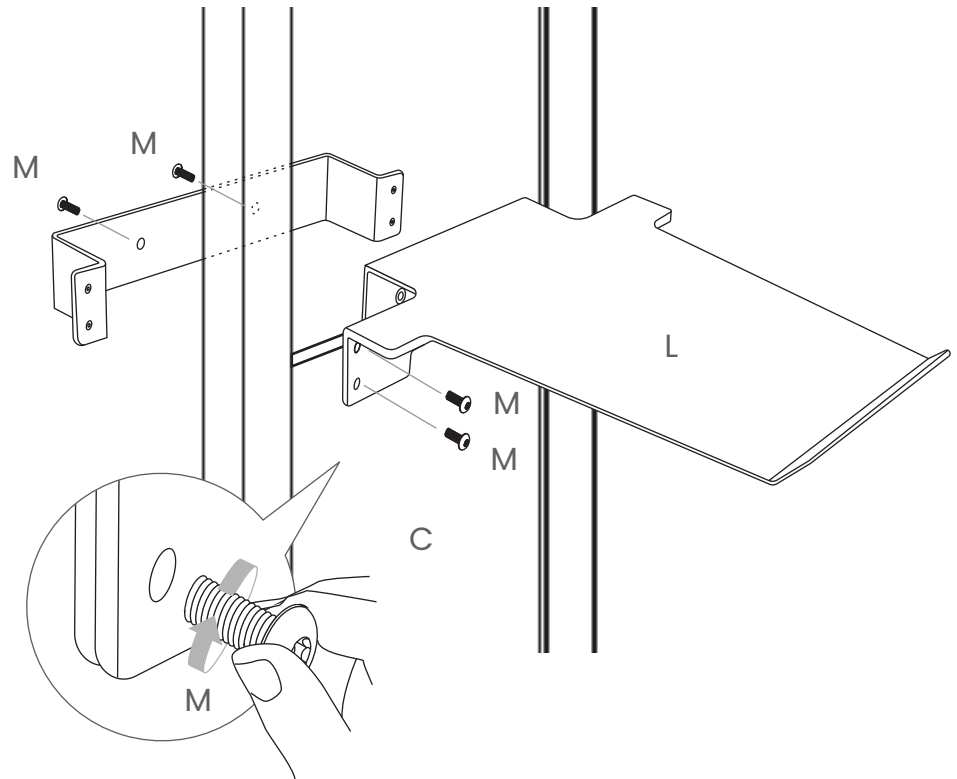
Step 8-a (Printer Tray Installation)

Cut the Graphic Panel (C) to the desired size and install as shown in step 8.



Step 8-b (Printer Tray Installation)

Install Printer Tray (L) above the Graphic Panel (C) using supplied screws (M) and tighten.

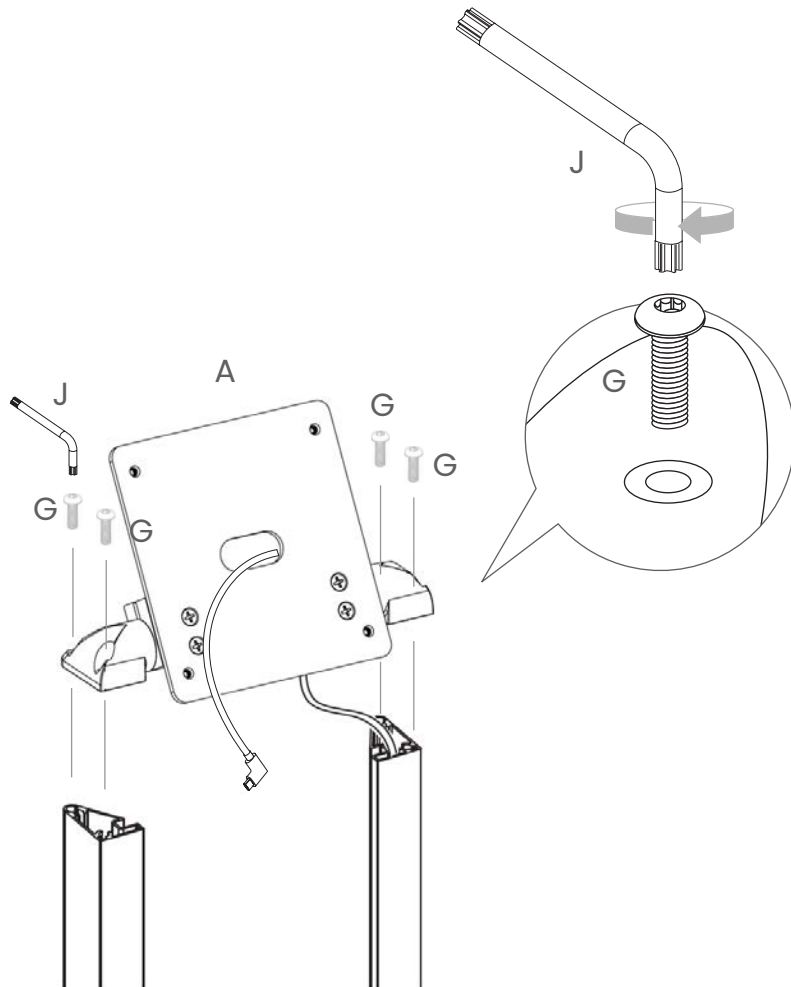


BrandMe Security Floor Stand

User Manual

Step 9

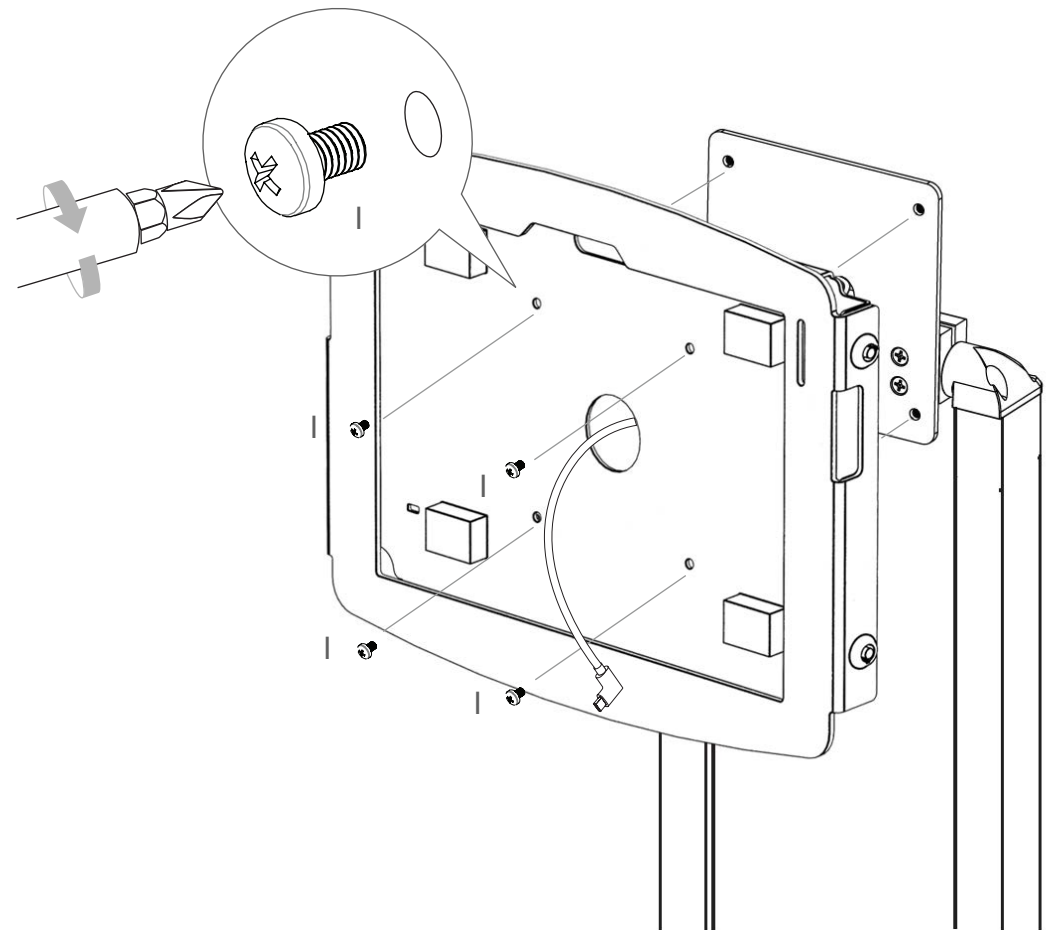
Route the USB cable (USB cable not included) through the hole in the center of Top End Assembly (A), install Top End Assembly (A) using M5 x 20mm Button Head Screws (G), tighten using T-25 Torx L-Wrench (J).



Step 10

Attach Tablet Enclosure (Tablet Enclosure for reference) to 100mm mounting pattern using M4 x 8mm Button Head Phillips Screws (I).

Tip! You can also install the Enclosure in portrait mode (vertically).

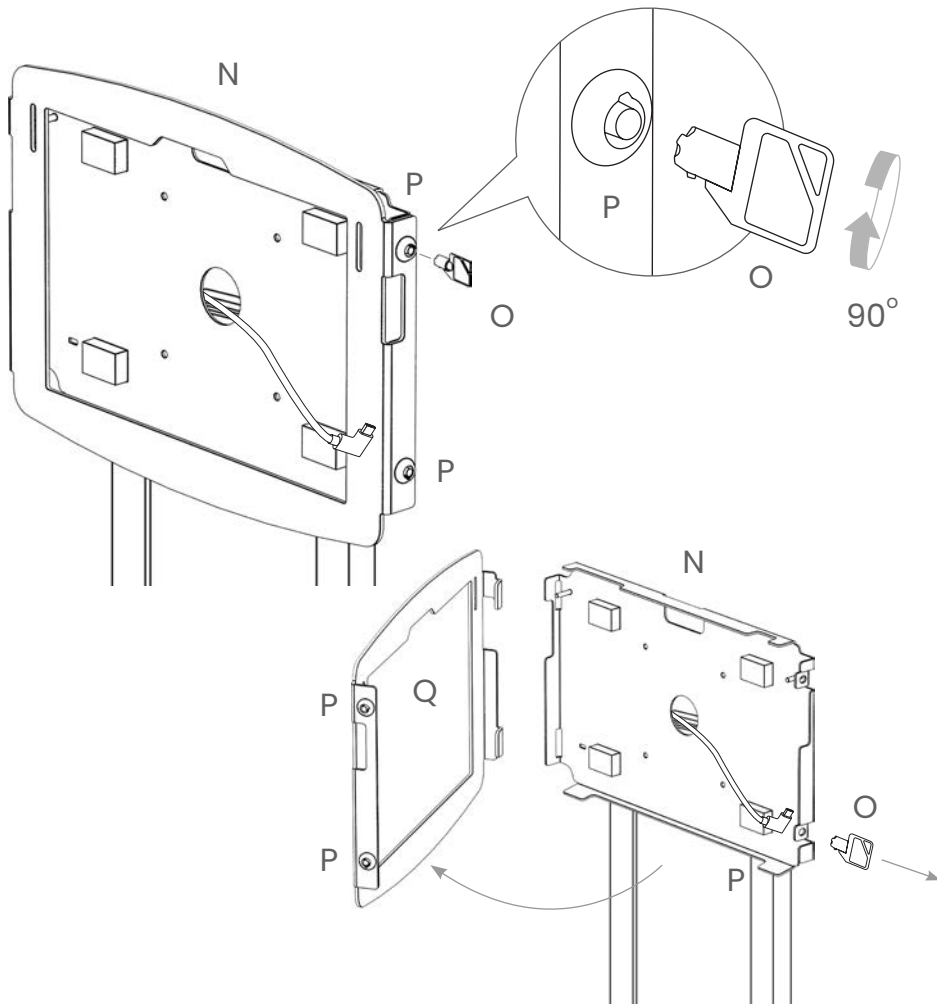


BrandMe Security Floor Stand

User Manual

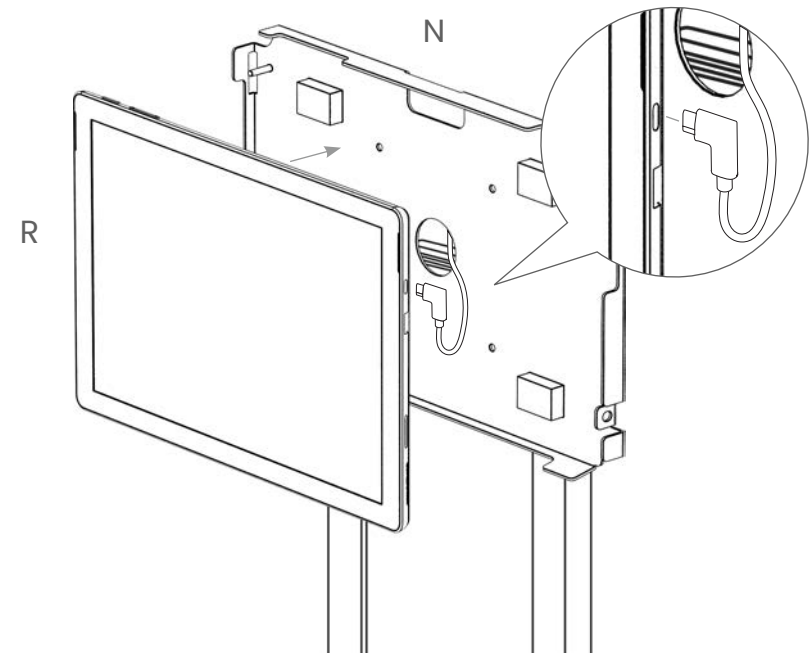
Step 10-a (Enclosure Installation)

Open the Enclosure (N) with the supplied Key (O). Insert the Key (O) into the Lock (P) and turn a quarter turn clockwise, you will hear a click sound, the Enclosure (N) is open. Repeat with the second Lock. Remove the Key (O) from the Lock (P) and open the Front Panel (Q).



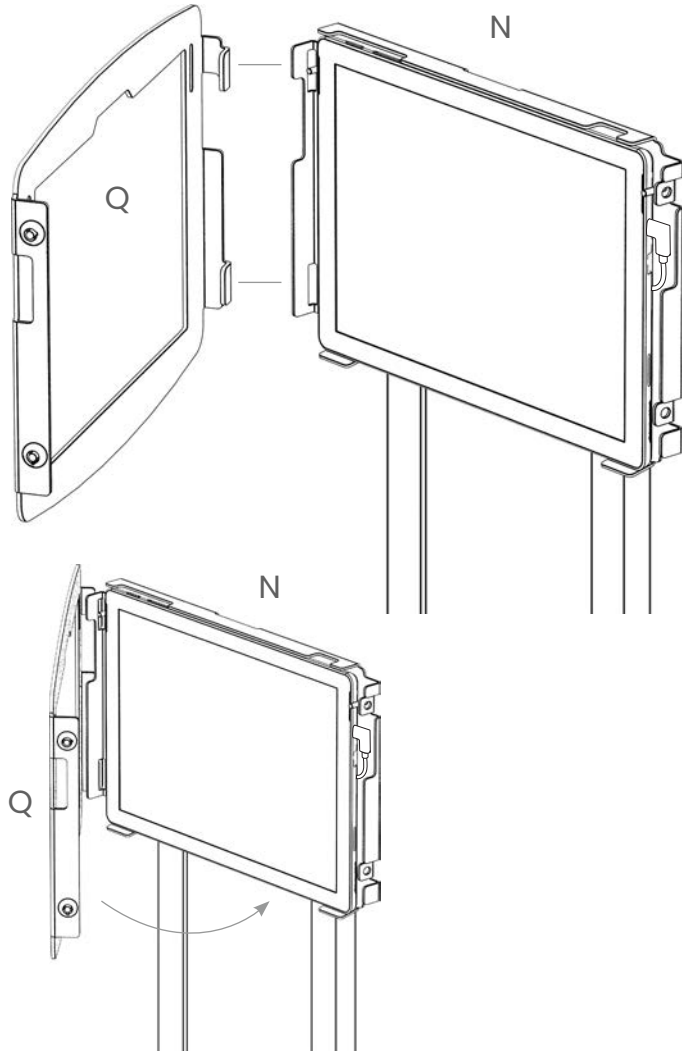
Step 10-b (Enclosure Installation)

Connect the USB cable (USB cable not included) to the Tablet (R). Install the Tablet (R) into the Enclosure (N).



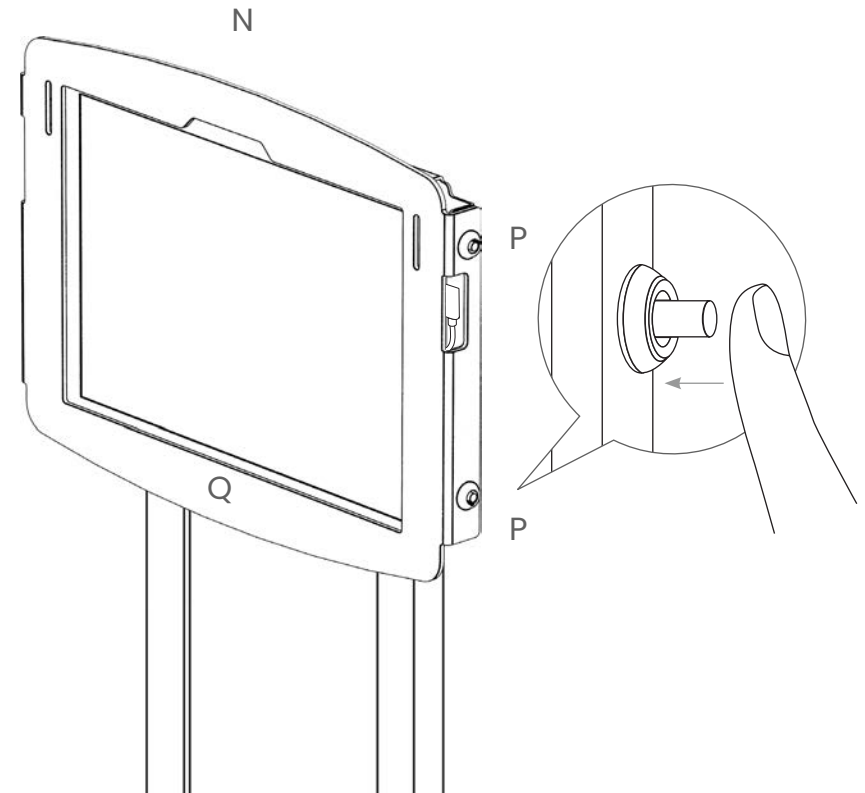
Step 10-c (Enclosure Installation)

Install the Front Panel (Q) in the cutouts on the side of the Enclosure (N) and close it.



Step 10-d (Enclosure Installation)

Press the Front Panel (Q) to the Enclosure (N) to align the Locks (P) with the holes for them and press the button on the Locks (P). The Enclosure is closed.

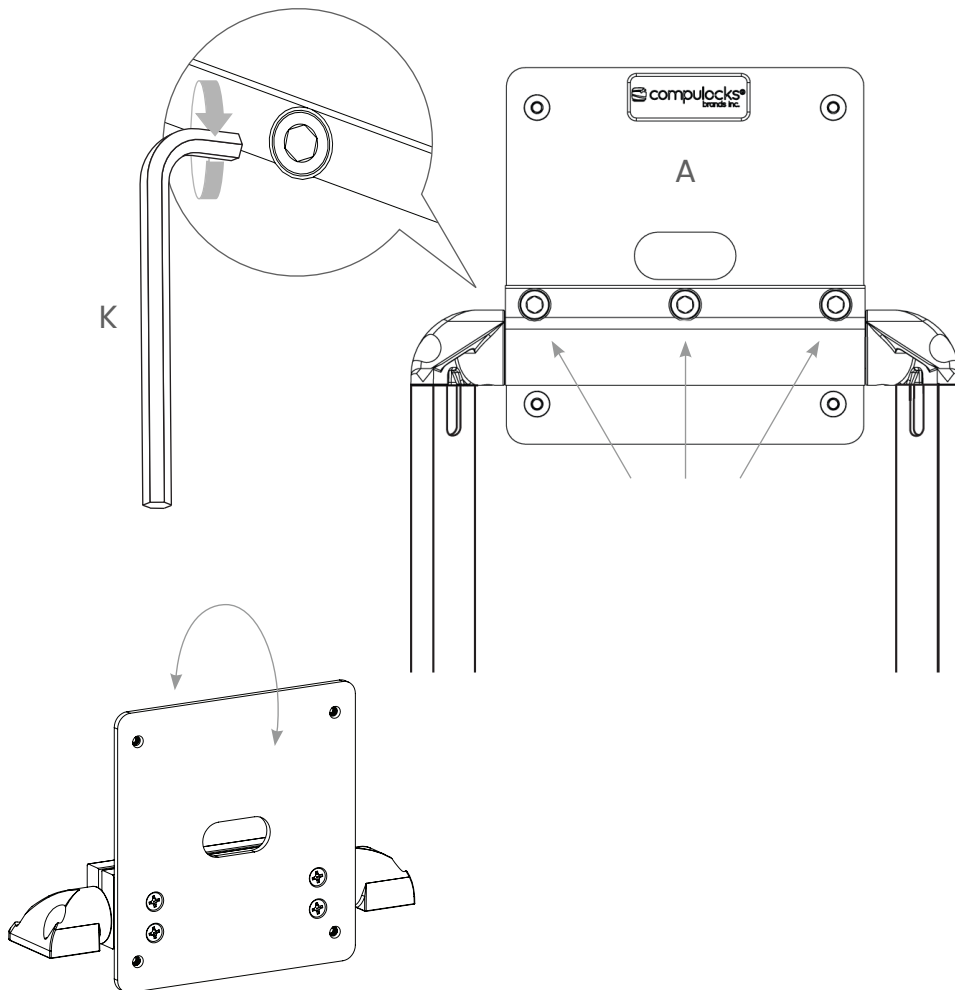


BrandMe Security Floor Stand

User Manual

Step 11

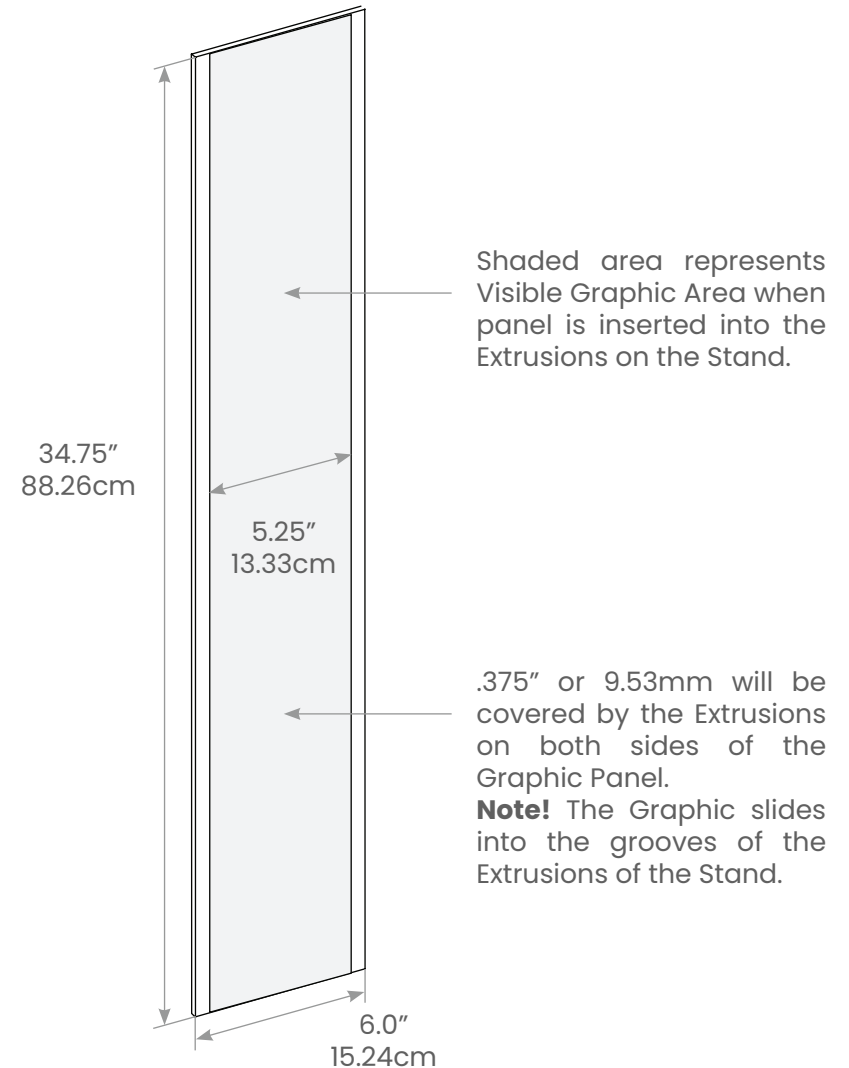
Adjust tilt tension by accessing the three screws on the back of the Top End Assembly (A). Use M5 Hex Wrench (K) to adjust screws.



Graphic Panel Specifications

Maximum material thickness of .250"/6.35mm.

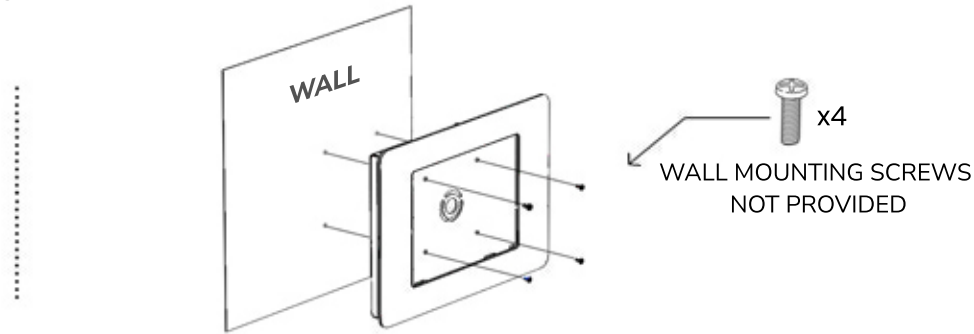
Option of using two pieces of .125"/3.18mm thick material back to back.



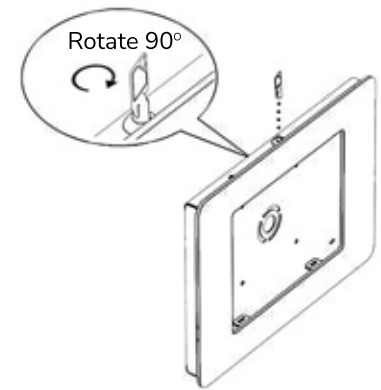
1

FOLLOW STAND
MOUNTING
INSTRUCTIONS

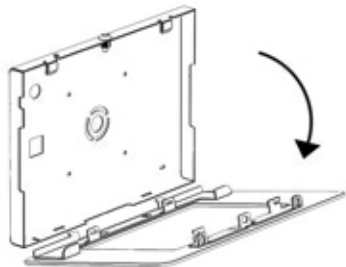
or



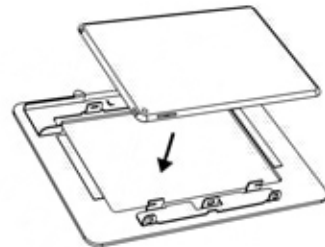
2



3



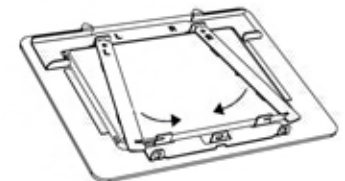
4



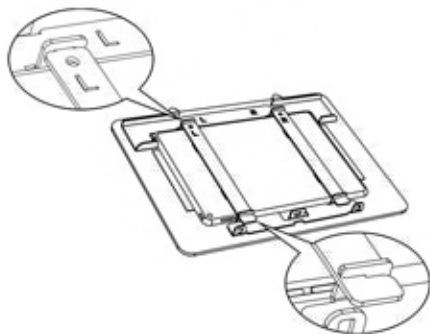
5



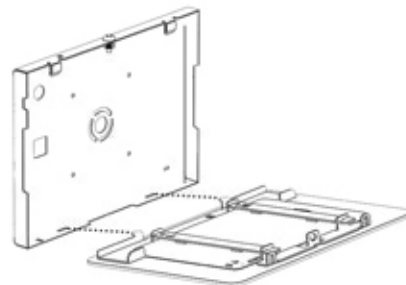
6



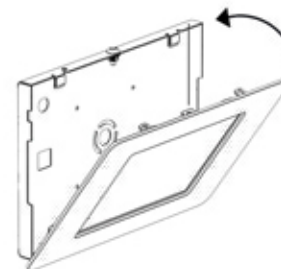
7



8



9



10

