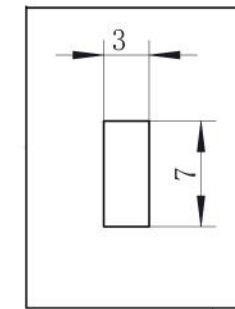
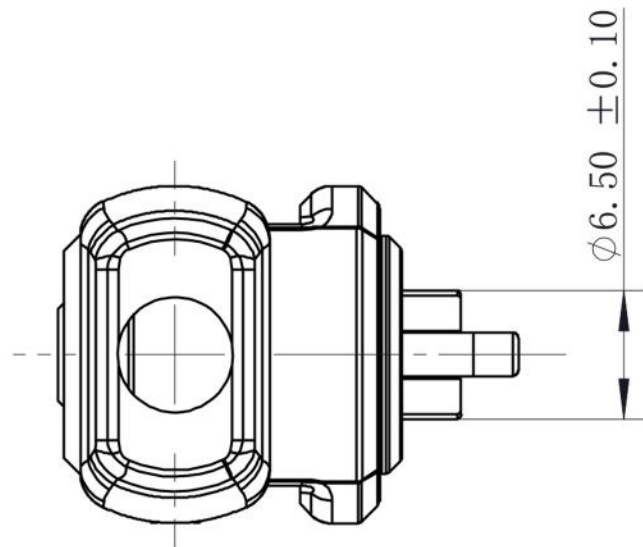
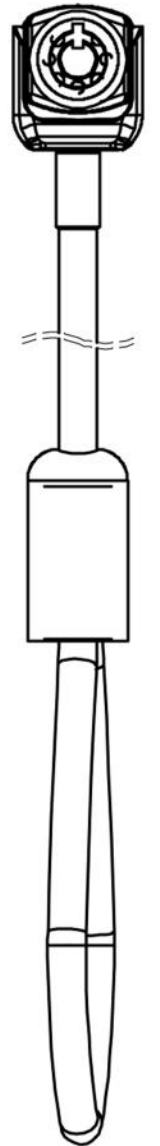
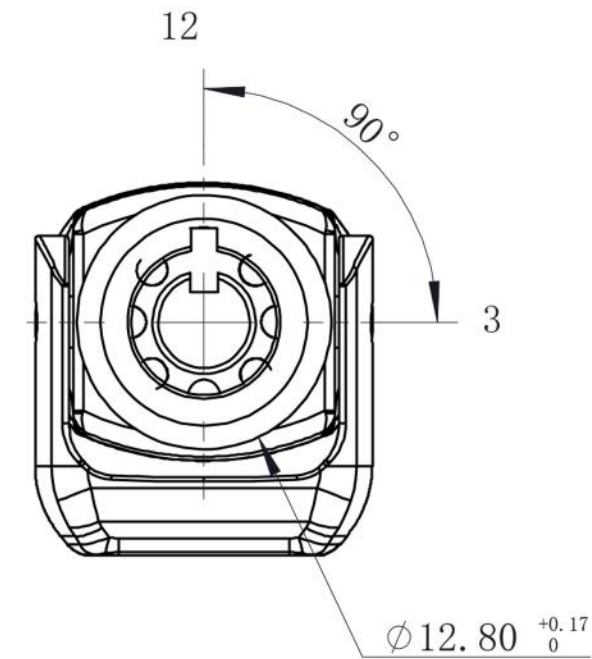
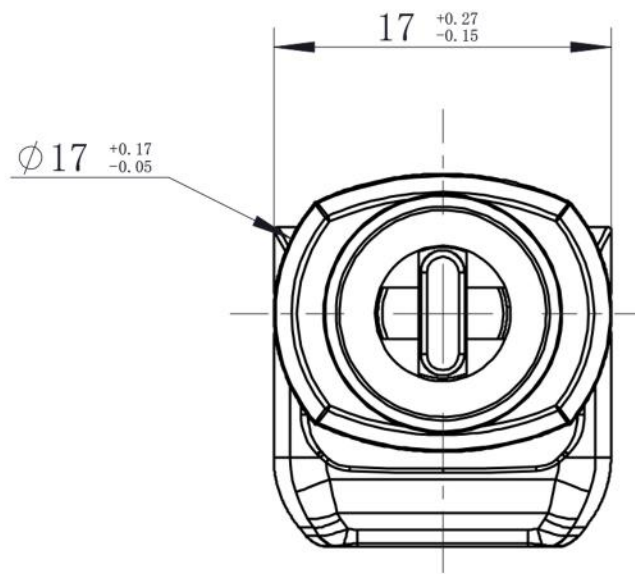
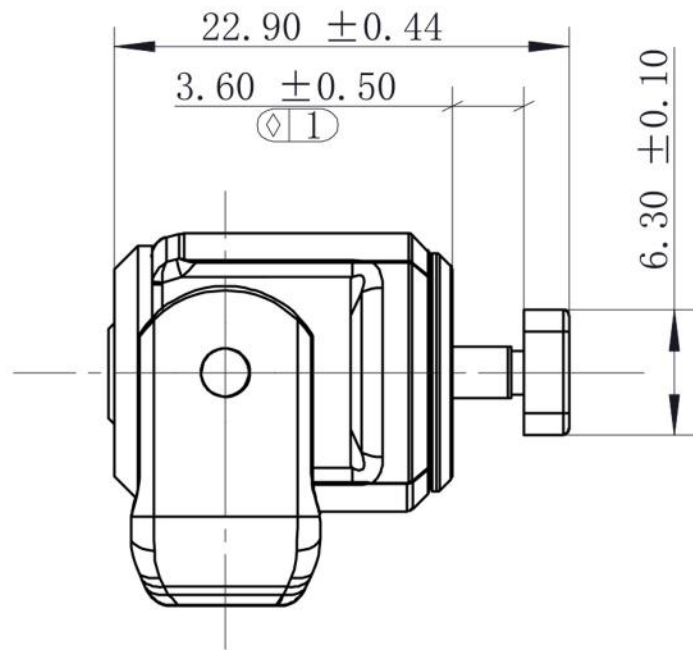


Universal Security Keyed Cable Lock

SKU	Weight	Date	Version
CL15(Black) CL15W(White)	0.29lb	19.04.21	V01



Specification:
 Material : zinc alloy lock head Finish: Nickel Plate
 Cable Material: steel cable with PVC coated
 Cable Strands: 7x7
 Cable Color: transparent black
 Cable Diameter: 5mm
 Cable Length: 1.8m