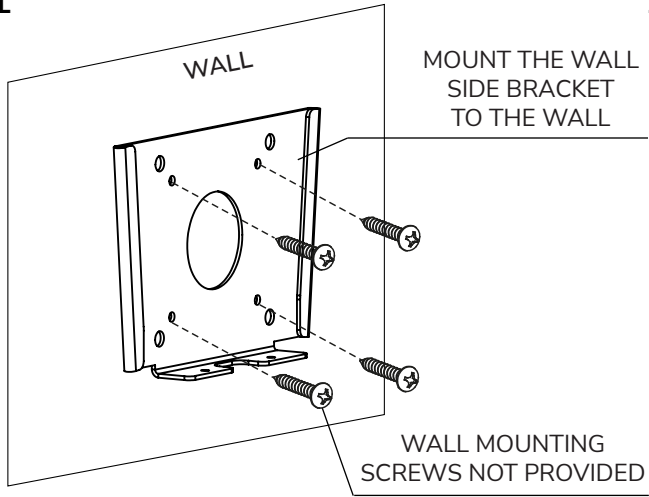
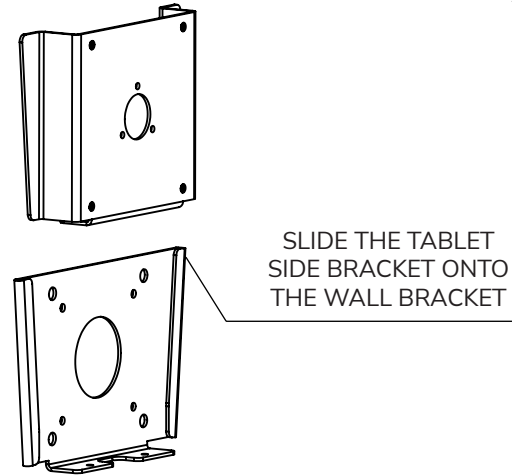


Assembly Instructions

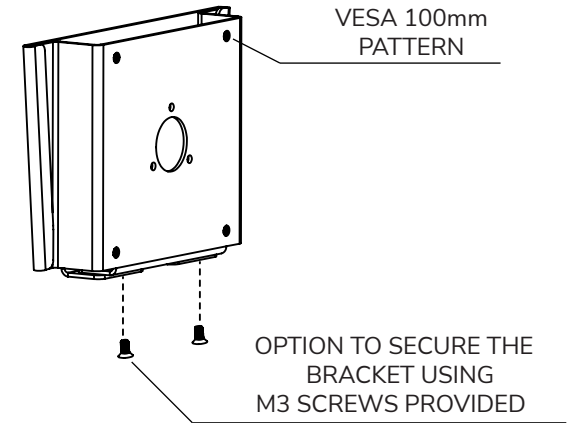
1



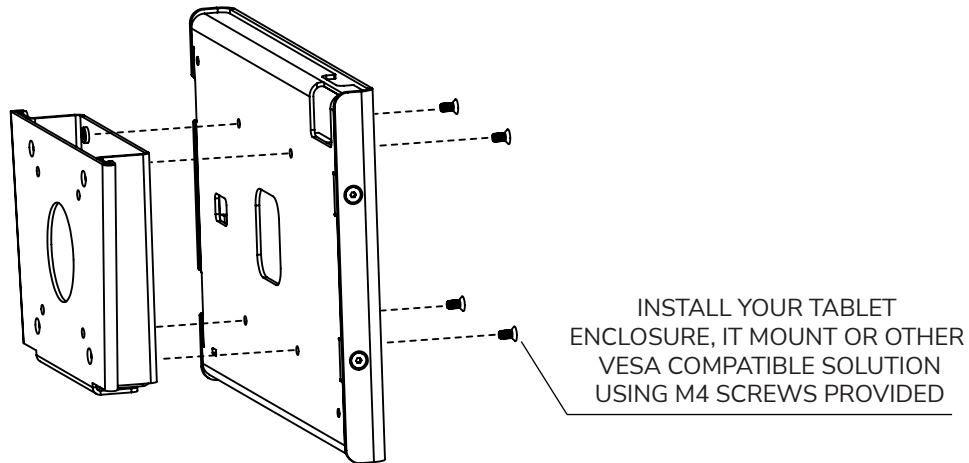
2



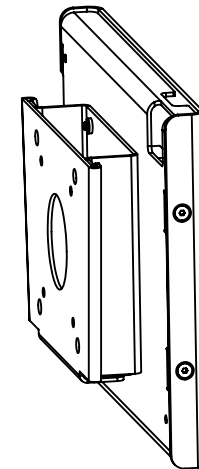
3



4



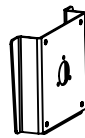
5



IN THE BOX



Wall Side Bracket



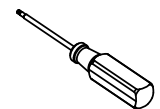
Tablet Side Bracket



M4x8MM Phillips Screws



M3x10MM Flat Head Screws



T10 Torx Screwdriver